

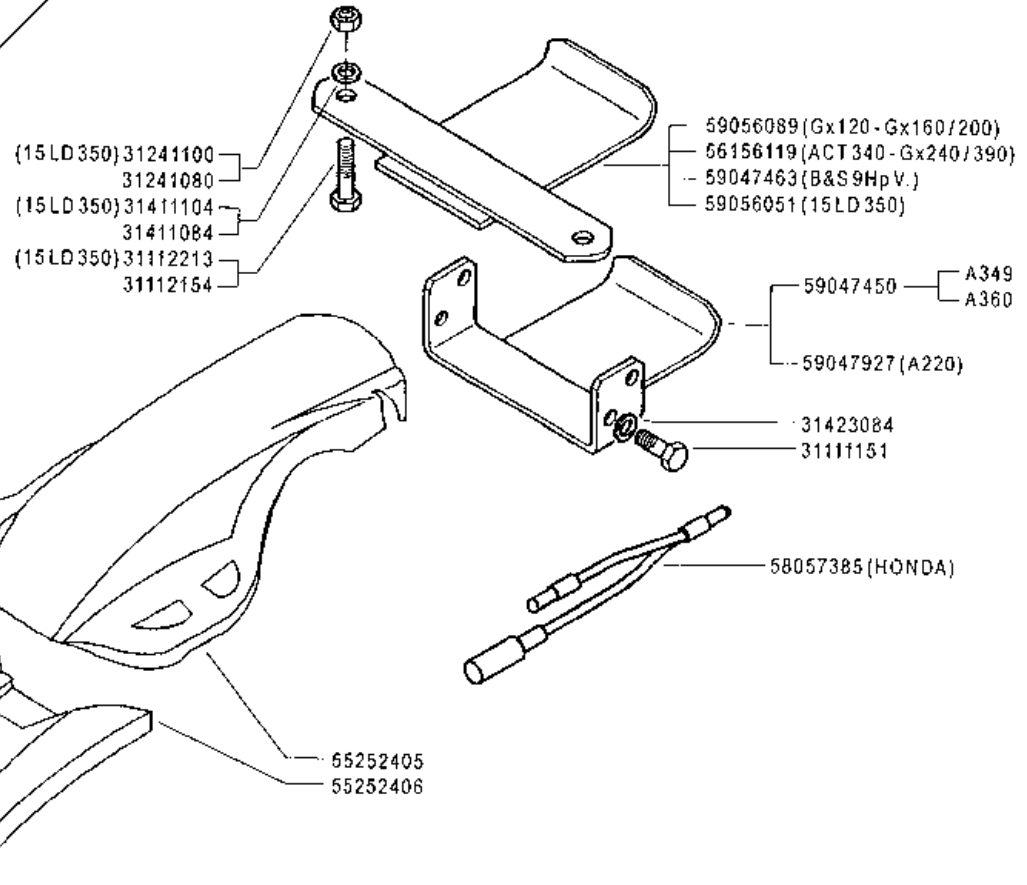
Inhoudsopgave

Drijfwerk Huis	15
Index	67
Koppeling	9
Motorsteun & Kapjes	3
PTO & Tandwielen	19
Schakelpoken	39
Stickers	55
Stuur & Kabels	35
Stuurboom	29
Wielas & Wielflens	27
Wielen	43

Code	Description	Notes
C01_1_34043	ENGINE GUARDS	
C01_2_67668	ENGINE GUARDS	
C.01.02.A0011_03	ENGINE GUARDS	
D01_2_33546	CLUTCH	
D01_3_59819	CLUTCH	
D01_4_72864	CLUTCH	
E02_1_34064	GEARBOX	
E.02.02.A0011_02	GEARBOX	
F03_1_34091	GEARS	
F03_2_90637	GEARS	
G01_1_34130	WHEEL AXLE	
H03_0_34151	STEERING COLUMN (500GR)	
F.03.02.A0011_03	F03_03 - INGRANAGGI CAMBIO (500 GR-520 GR-530 GR-530S GR-S MUSTER)	
I05_0_34171	HANDLEBAR	
J02_1_34222	CONTROLS	
J.02.02.A0011_02	CONTROLS	
L01_1_27708	WHEELS	
L01_2_60486	WHEELS	
L01_3_90714	WHEELS	
M01_1_34253	STICKERS	
M01_2_67927	STICKERS	
M01_3_91676	STICKERS	
M02_1_34264	STICKERS	
M02_2_67938	STICKERS	
M02_3_91699	STICKERS	

500 GR ★

- ★ 56152241
- ★ 31421083
- ★ 31121007



FERRARI

500 serie GRIFON

RIPARI MOTORE
(500GR ★ - 515GR - 515L GR - 515S GR)
 ENGINE GUARDS
 PROTECCIONES MOTOR
 PROTECTIONS MOTEUR
 MOTOR SCHUTZ

DALLA MACCHINA
 DE LA MAQUINA
 DE LA MACHINE
 FROM THE MACHINE
 AB DER MASCHINE

★ N.

AGGIORNAMENTO
 REVISION
 MISE A JOUR
 APLAZAMIENTO
 ANPASSUNG

C01

06/2006

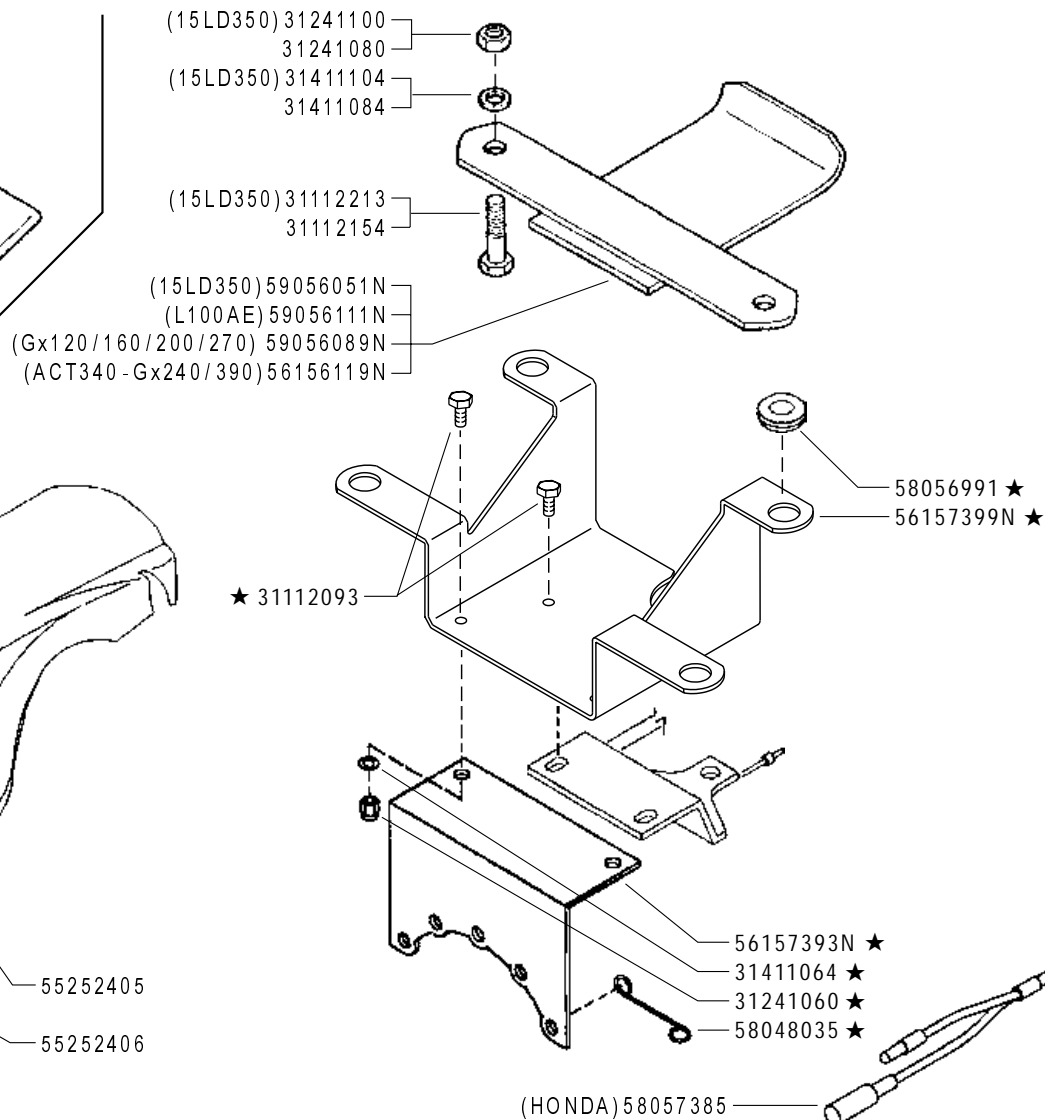
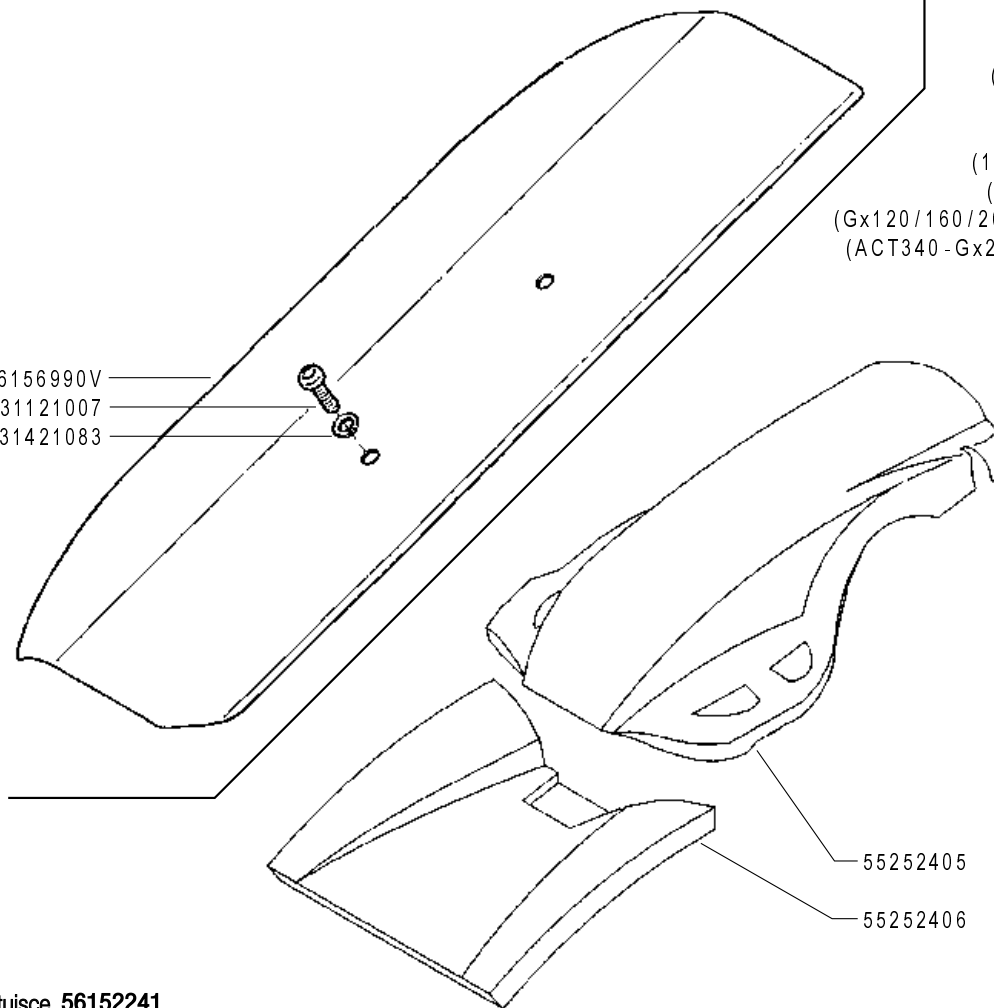
Rev. 1

3ENNE

Pos.	Code	Q.ty	Description	Notes
31111151	31111151	1	SCREW TE M8X16 UNI 5739 8G	
31112154	31112154	1	SCREW TE M8X40 UNI 5739 8G	
31112213	31112213	1	SCREW TE M10X40 UNI 5739	
31121007	31121007	1	SCREW BCEI M8X20 ISO7380	
31241080	31241080	1	SELFLOCK NUT M8	
31241100	31241100	1	SELFLOCK NUT M10 6S	
31411084	31411084	1	WASHER 8,4x17	
31411104	31411104	1	WASHER 10,5x18	
31421083	31421083	1	WASHER	
31423084	31423084	1	SPRING WASHER 8,4	
55252405	55252405	1	GUARD	
55252406	55252406	1	GUARD	
56152241	56152241	1	CARROZZERIA MF LAT./97 *V*	
56156119	56156119	1	SHIELD	
58057385	58057385	1	LINE	
59047450	59047450	1	SHIELD	
59047463	59047463	1	ENGINE PROTECTION	
59047927	59047927	1	SHIELD	
59056051	59056051	1	SHIELD	
59056089	59056089	1	SHIELD	

500 GR

(1) ★ 56156990V
31121007
31421083



(1) sostituisce 56152241

FERRARI

500 serie GRIFON

RIPARI MOTORE

(500GR - 515GR - 515L GR - 515S GR - 515SL GR ★)

ENGINE GUARDS
PROTECCIONES MOTOR

PROTECTIONS MOTEUR
MOTOR SCHUTZ

DALLA MACCHINA
DE LA MAQUINA
DE LA MACHINE
FROM THE MACHINE
AB DER MASCHINE

★ N.

AGGIORNAMENTO

REVISION

MISE A JOUR

APLAZAMIENTO

ANPASSUNG

C01

02/2009

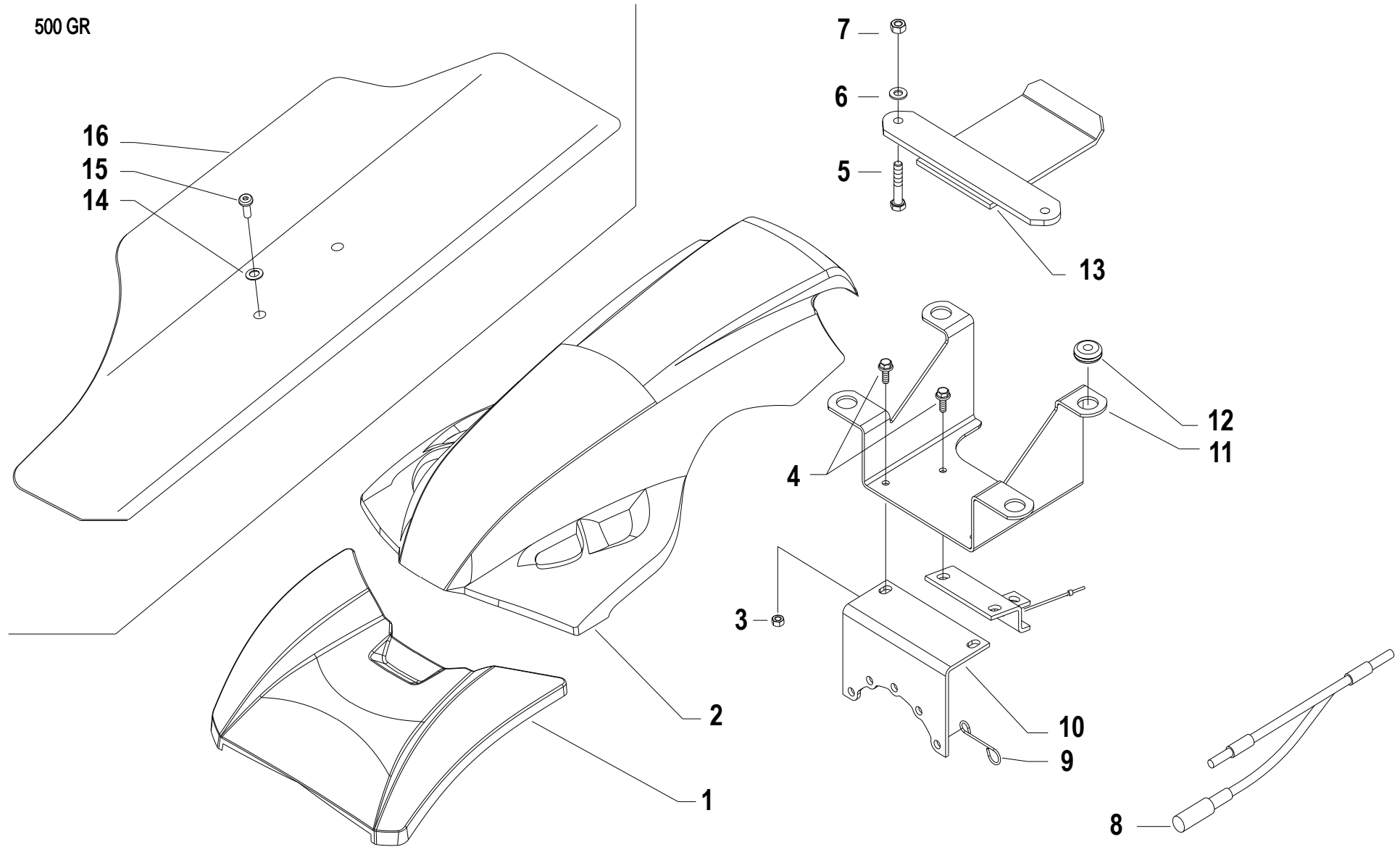
Rev.

2

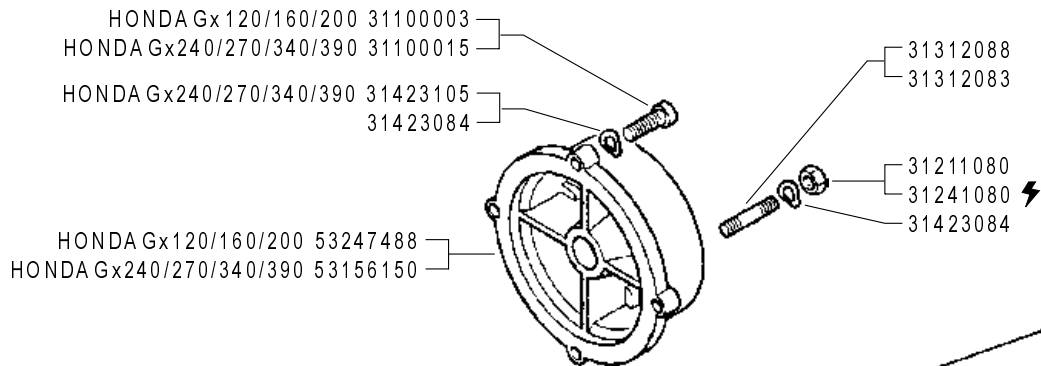
ZENNE

Pos.	Code	Q.ty	Description	Notes
0	0	1		
31112093	31112093	1	SCREW TE M6X20 UNI 5739 8G	
31112154	31112154	1	SCREW TE M8X40 UNI 5739 8G	
31112213	31112213	1	SCREW TE M10X40 UNI 5739	
31121007	31121007	1	SCREW BCEI M8X20 ISO7380	
31241060	31241060	1	SELFLOCK NUT M6	
31241080	31241080	1	SELFLOCK NUT M8	
31241100	31241100	1	SELFLOCK NUT M10 6S	
31411064	31411064	1	WASHER 6,4x12,5	
31411084	31411084	1	WASHER 8,4x17	
31411104	31411104	1	WASHER 10,5x18	
31421083	31421083	1	WASHER	
55252405	55252405	1	GUARD	
55252406	55252406	1	GUARD	
58048035	58048035	1	HOLDER	
58056991	58056991	1	CABLE GLAND	
58057385	58057385	1	LINE	
59056111	59056111	1	SHIELD	
56156119	56156119N	1	SHIELD	
56156990	56156990V	1	BODYWORK	
56157393	56157393N	1	HOLDER	
56157399	56157399N	1	HOLDER	
59056051	59056051N	1	SHIELD	
59056089	59056089N	1	SHIELD	

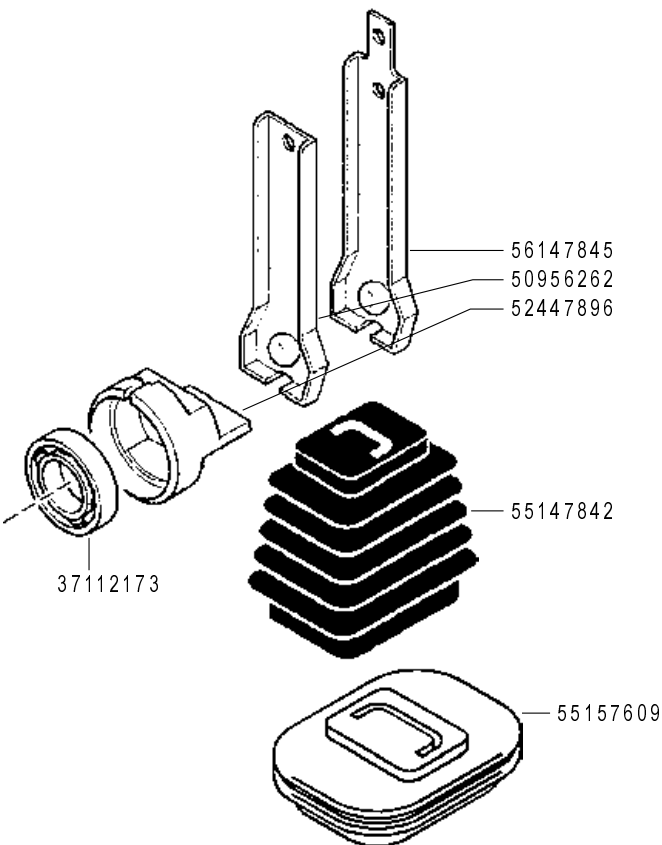
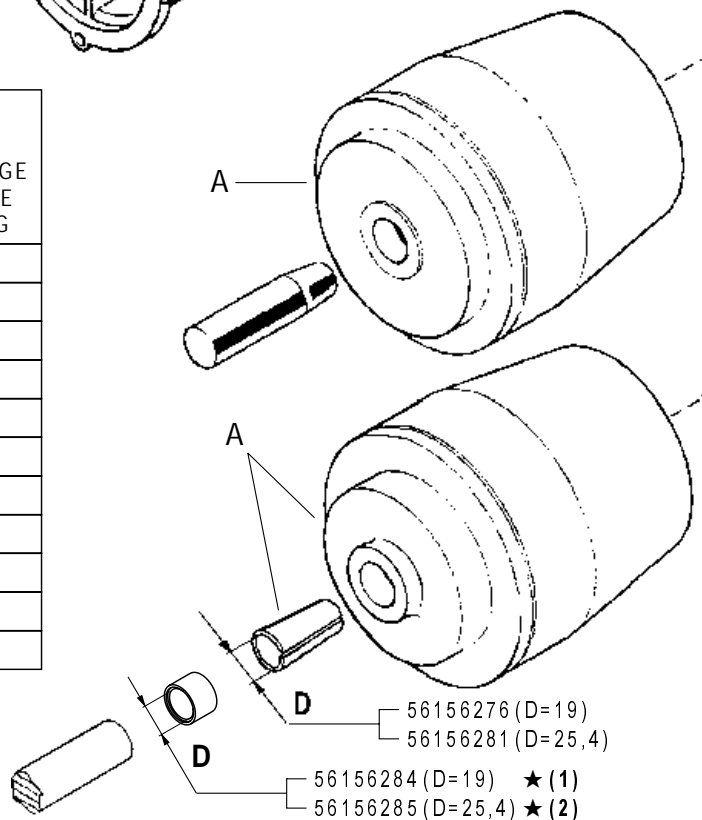
500 GR




Pos.	Code	Q.ty	Description	Notes
1	55252406	1	GUARD	
2	55252405	1	GUARD	
3	31241065	1	SELFLOCK NUT M6	
4	31112085	1	SCREW TE M6X16 DIN 6921 8G	
5	31112154	1	SCREW TE M8X40 UNI 5739 8G	
5	31112213	1	SCREW TE M10X40 UNI 5739	For the engine 15LD350
6	31411084	1	WASHER 8,4x17	
6	31411104	1	WASHER 10,5x18	For the engine 15LD350
7	31241080	1	SELFLOCK NUT M8	
7	31241100	1	SELFLOCK NUT M10 6S	For the engine 15LD350
8	58057385	1	LINE	
9	58048035	1	HOLDER	
10	56157393N	1	HOLDER	
11	56157399N	1	HOLDER	
12	58056991	1	CABLE GLAND	
13	56156119N	1	SHIELD	For motors ACT340 / GX240 / GX270 / GX390
13	59056051	1	SHIELD	For the engine 15LD350
13	59056089N	1	SHIELD	For motors GX120 / GX160 / GX200 / EX21
13	59056111N	1	SHIELD	For the engine L100AE
14	31421083	1	WASHER	
15	31121007	1	SCREW BCEI M8X20 ISO7380	
16	56156990V	1	BODYWORK	



MOTORE ENGINE MOTEUR MOTOR MOTOR	FRIZIONE CLUTCH A EMBRAYAGE EMBRAGUE KUPPLUNG
Acme A220	59247884
Acme A220 (REF.)	59256255
Acme ACT280 - A349 - A360	59247884
Acme ACT340	59247971
Honda Gx390 - Gx340 D=25,4	59256280
Honda Gx240/270 D=25,4	59256279
Honda Gx120/160/200 D=19	59256275
Lombardini 15LD315/350	59247884
Lombardini 15LD500	59247924
Yanmar L100AE	59247971
Yanmar L70AE	59247884



 **NON SMONTARE MAI LA FRIZIONE
NEVER DISASSEMBLE THE CLUTCH
NE DEMONTER JAMAIS L'EMBRAYAGE
NIEMALS DIE KUPPLUNG AUSBAUEN
NO DESMONTAR JAMAS EL EMBRAGUE**

FERRARI

500 serie GRIFON

FRIZIONE A CONO AUTOVENTILANTE

CLUTCH
EMBRAGUE

EMBRAYAGE
KUPPLUNG

DALLA MACCHINA
DE LA MAQUINA
FROM THE MACHINE
AB DER MASCHINE

★ N.

(2) 779519
(1) 779324

D01

11/2006

Rev.
2

ZENNE

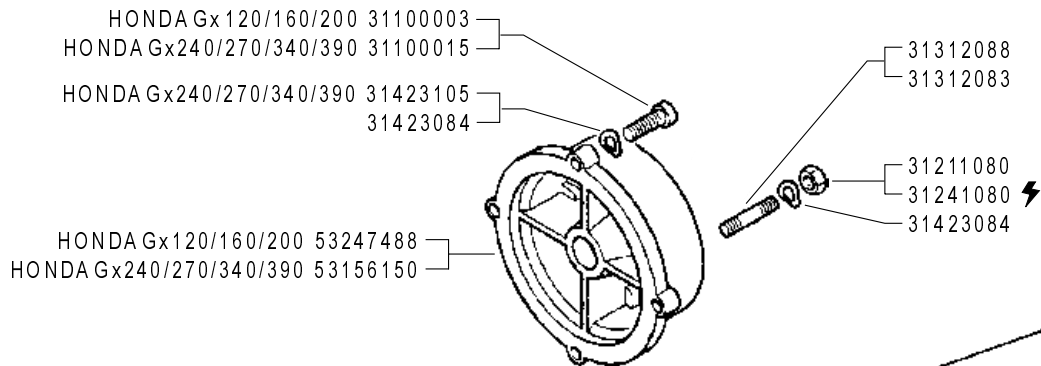
Pos.	Code	Q.ty	Description	Notes
31100003	31100003	1	SCREW TE 5/16X7/8	
31100015	31100015	1	SCREW TE 3/8X1	
31211080	31211080	1	NUT M8	
31241080	31241080	1	SELFLOCK NUT M8	
31312083	31312083	1	STUD BOLT M8X46X16X16	
31312088	31312088	1	STUD BOLT M8X40X14X14	
31423084	31423084	1	SPRING WASHER 8,4	
31423105	31423105	1	SPRING WASHER 10,5	
37112173	37112173	1	BEARING	
50956262	50956262	1	CLUTCH LEVER	
52447896	52447896	1	PRESSURE PLATE	
53156150	53156150	1	ENGINE FLANGE	
53247488	53247488	1	ENGINE FLANGE	
55147842	55147842	1	BELLOWS	
55157609	55157609	1	BELLOWS	
56147845	56147845	1	CLUTCH LEVER	
56156276	56156276	1	SLEEVE	
56156281	56156281	1	CENTRING BUSH	
56156284	56156284	1	SPACER	
56156285	56156285	1	SPACER	
59247884	59247884	1	CLUTCH ASSY	
59247924	59247924	1	CLUTCH	
59247971	59247971	1	CLUTCH	
59256255	59256255	1	CLUTCH ASSY	
59256275	59256275	1	CLUTCH ASSY	
59256279	59256279	1	CLUTCH ASSY	
59256280	59256280	1	CLUTCH ASSY	

SERIAL

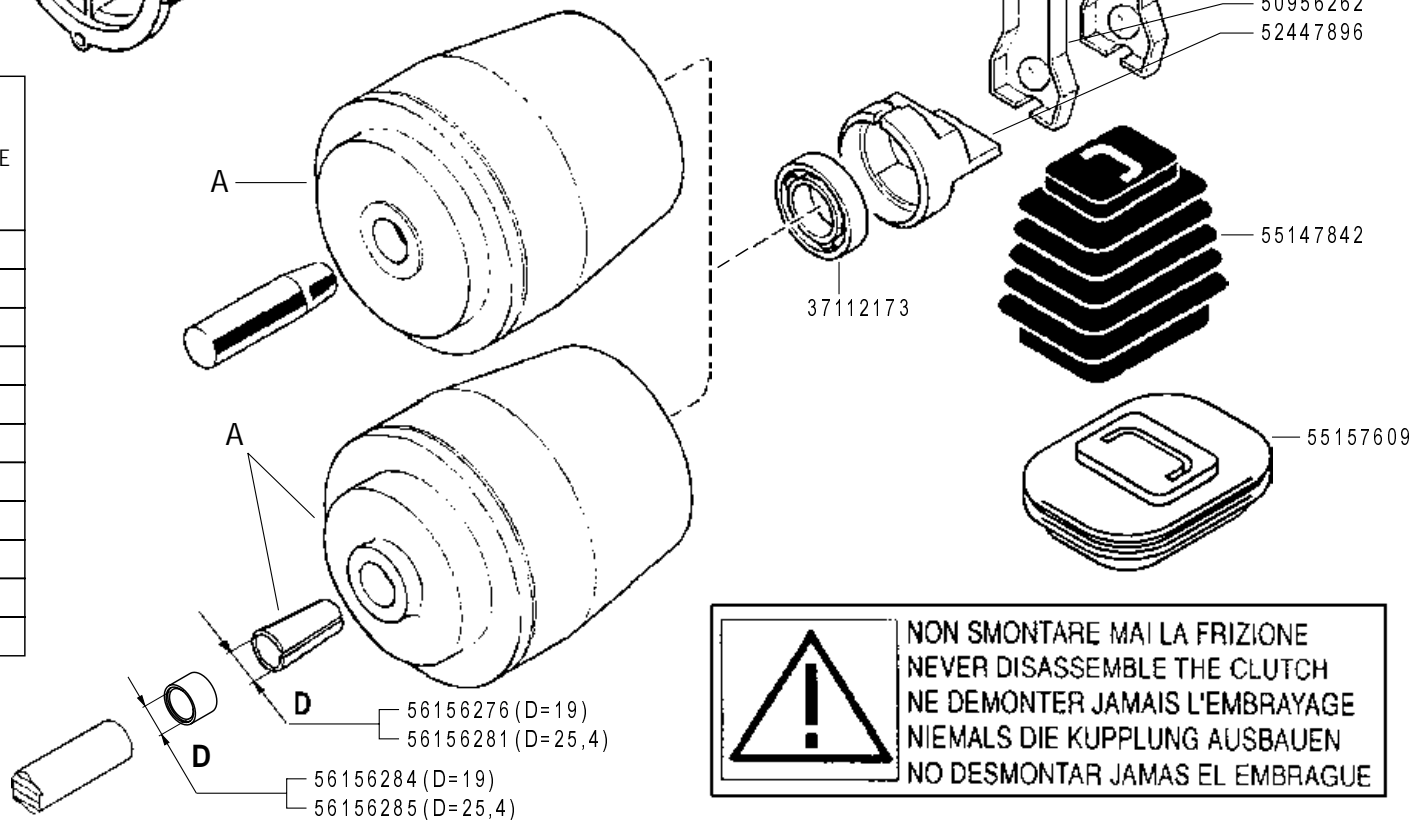
CLUTCH


CODE REV

D01_2_33546



MOTORE ENGINE MOTEUR MOTOR MOTOR	FRIZIONE CLUTCH A EMBRAYAGE EMBRAGUE KUPPLUNG
Acme A220	59247884
Acme ACT 280 - A349 - A360	59247884
Acme ACT 340	59247971
Honda Gx390 - Gx340 D=25,4	59256280
Honda Gx240/270 D=25,4	59256279
Honda Gx120/160/200 D=19	59256275
Lombardini 15LD315/350	59247884
Lombardini 15LD500	59247924
Lombardini LGA 340 ★	59247971
Yanmar L100AE	59247971
Yanmar L70AE	59247884



 **NON SMONTARE MAI LA FRIZIONE
NEVER DISASSEMBLE THE CLUTCH
NE DEMONTER JAMAIS L'EMBRAYAGE
NIEMALS DIE KUPPLUNG AUSBAUEN
NO DESMONTAR JAMAS EL EMBRAGUE**

FERRARI

500 serie GRIFON

FRIZIONE A CONO AUTOVENTILANTE

CLUTCH
EMBRAGUE

EMBRAYAGE
KUPPLUNG

DALLA MACCHINA
DE LA MAQUINA
FROM THE MACHINE
AB DER MASCHINE

AGGIORNAMENTO

REVISION

MISE A JOUR

APLAZAMIENTO

ANPASSUNG

D01

Rev.
3

01/2009

★ N.

ZENNE

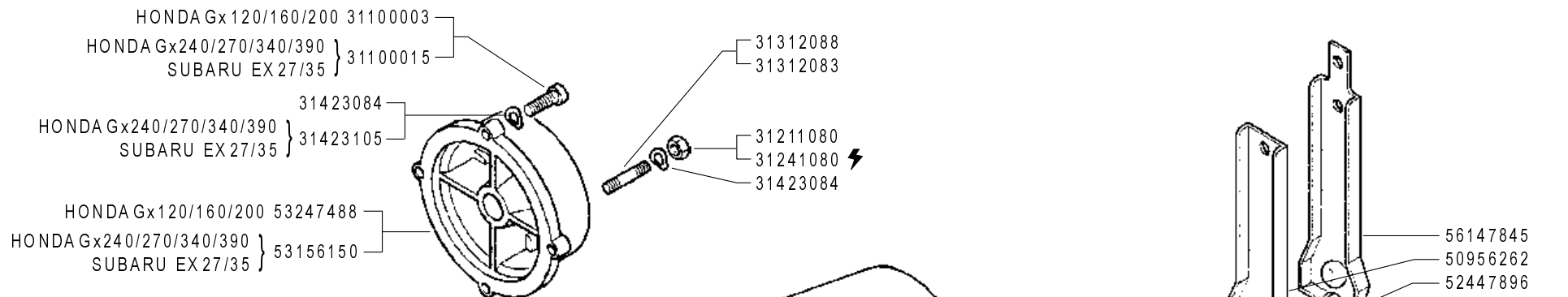
Pos.	Code	Q.ty	Description	Notes
31100003	31100003	1	SCREW TE 5/16X7/8	
31100015	31100015	1	SCREW TE 3/8X1	
31211080	31211080	1	NUT M8	
31241080	31241080	1	SELFLOCK NUT M8	
31312083	31312083	1	STUD BOLT M8X46X16X16	
31312088	31312088	1	STUD BOLT M8X40X14X14	
31423084	31423084	1	SPRING WASHER 8,4	
31423105	31423105	1	SPRING WASHER 10,5	
37112173	37112173	1	BEARING	
50956262	50956262	1	CLUTCH LEVER	
52447896	52447896	1	PRESSURE PLATE	
53156150	53156150	1	ENGINE FLANGE	
53247488	53247488	1	ENGINE FLANGE	
55147842	55147842	1	BELLOWS	
55157609	55157609	1	BELLOWS	
56147845	56147845	1	CLUTCH LEVER	
56156276	56156276	1	SLEEVE	
56156281	56156281	1	CENTRING BUSH	
56156284	56156284	1	SPACER	
56156285	56156285	1	SPACER	
59247884	59247884	1	CLUTCH ASSY	
59247924	59247924	1	CLUTCH	
59247971	59247971	1	CLUTCH	
59256275	59256275	1	CLUTCH ASSY	
59256279	59256279	1	CLUTCH ASSY	
59256280	59256280	1	CLUTCH ASSY	

SERIAL

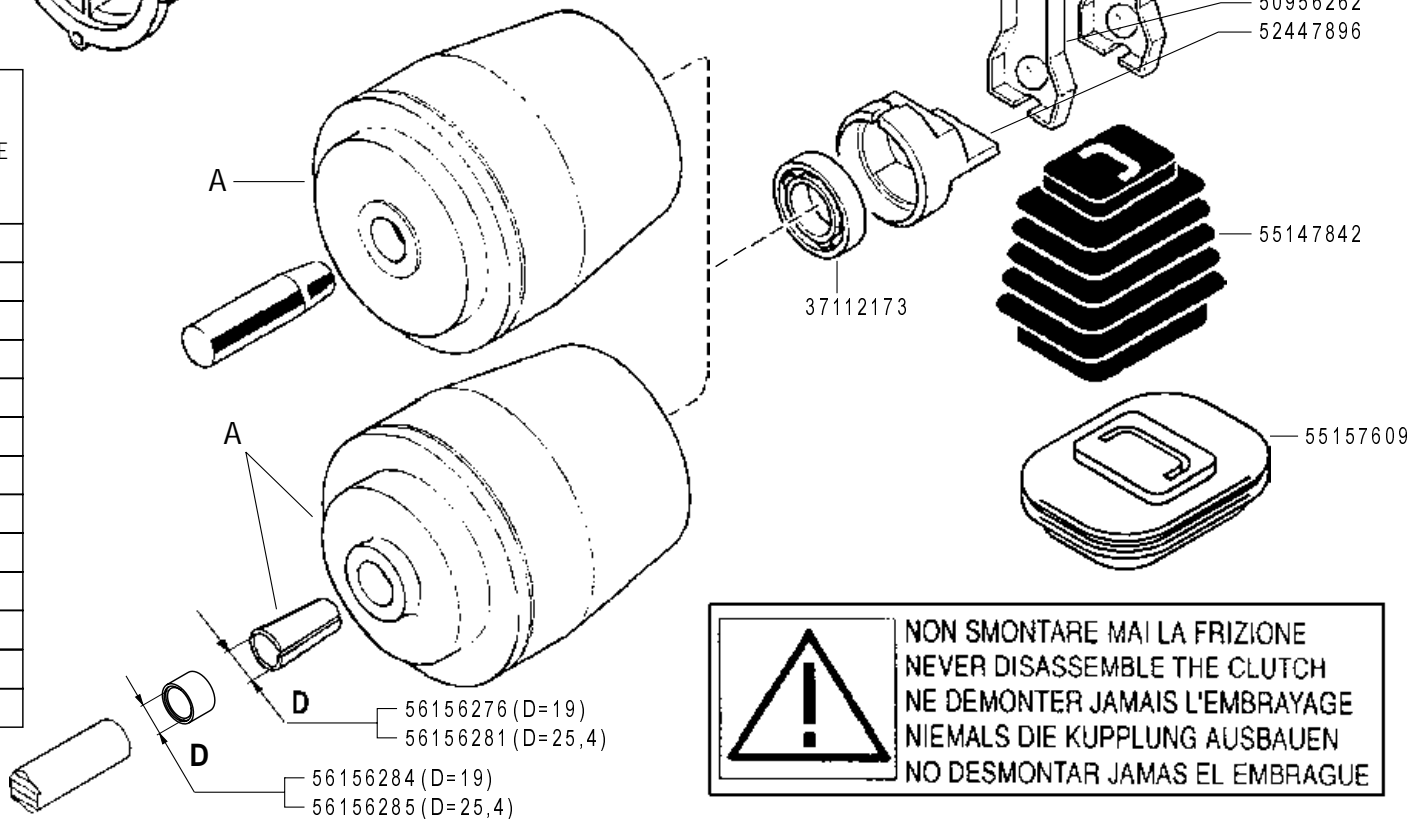
CLUTCH

CODE REV

D01_3_59819



MOTORE ENGINE MOTEUR MOTOR MOTOR	FRIZIONE CLUTCH A EMBRAYAGE EMBRAGUE KUPPLUNG
Acme A220	59247884
Acme ACT 280 - A349 - A360	59247884
Acme ACT 340	59247971
Honda Gx 390 - Gx 340 D=25,4	59256280
Honda Gx 240/270 D=25,4	59256279
Honda Gx 120/160/200 D=19	59256275
Lombardini 15LD315/350	59247884
Lombardini 15LD500	59247924
Lombardini LGA 340	59247971
Subaru EX 27 ★	59256279
Subaru EX 35 ★	59256280
Yanmar L100AE	59247971
Yanmar L70AE	59247884



! NON SMONTARE MAI LA FRIZIONE
 NEVER DISASSEMBLE THE CLUTCH
 NE DEMONTER JAMAIS L'EMBRAYAGE
 NIEMALS DIE KUPPLUNG AUSBAUEN
 NO DESMONTAR JAMAS EL EMBRAGUE

FERRARI

500 serie GRIFON

FRIZIONE A CONO AUTOVENTILANTE

CLUTCH
EMBRAGUE

EMBRAYAGE
KUPPLUNG

DALLA MACCHINA
DE LA MAQUINA
DE LA MACHINE
FROM THE MACHINE
AB DER MASCHINE

AGGIORNAMENTO
REVISION
MISE A JOUR
APLAZAMIENTO
ANPASSUNG

★ N.

D01

Rev. 4

03/2010

ZENNE

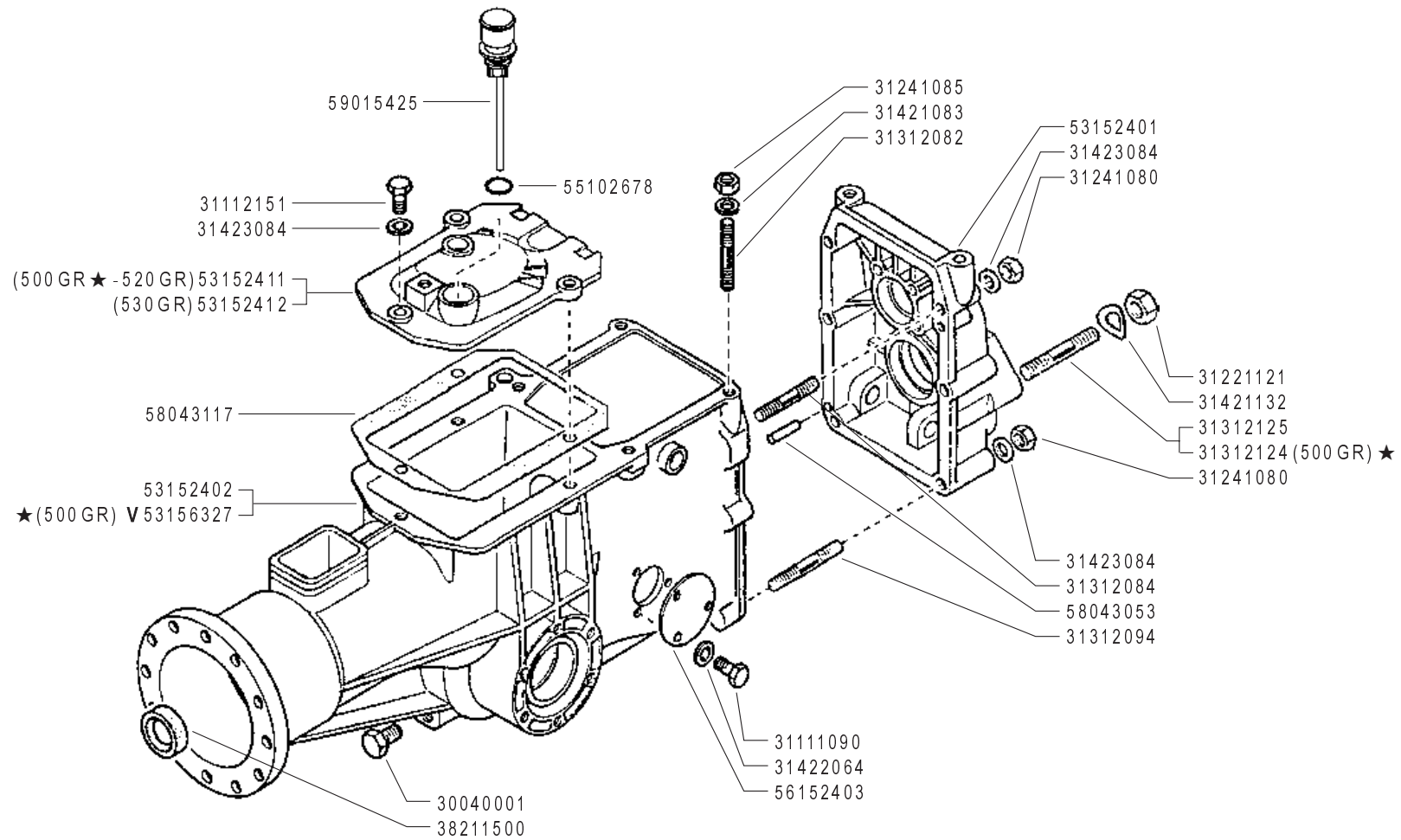
Pos.	Code	Q.ty	Description	Notes
31100003	31100003	1	SCREW TE 5/16X7/8	
31100015	31100015	1	SCREW TE 3/8X1	
31211080	31211080	1	NUT M8	
31241080	31241080	1	SELFLOCK NUT M8	
31312083	31312083	1	STUD BOLT M8X46X16X16	
31312088	31312088	1	STUD BOLT M8X40X14X14	
31423084	31423084	1	SPRING WASHER 8,4	
31423105	31423105	1	SPRING WASHER 10,5	
37112173	37112173	1	BEARING	
50956262	50956262	1	CLUTCH LEVER	
52447896	52447896	1	PRESSURE PLATE	
53156150	53156150	1	ENGINE FLANGE	
53247488	53247488	1	ENGINE FLANGE	
55147842	55147842	1	BELLOWS	
55157609	55157609	1	BELLOWS	
56147845	56147845	1	CLUTCH LEVER	
56156276	56156276	1	SLEEVE	
56156281	56156281	1	CENTRING BUSH	
56156284	56156284	1	SPACER	
56156285	56156285	1	SPACER	
59247884	59247884	1	CLUTCH ASSY	
59247924	59247924	1	CLUTCH	
59247971	59247971	1	CLUTCH	
59256275	59256275	1	CLUTCH ASSY	
59256279	59256279	1	CLUTCH ASSY	
59256280	59256280	1	CLUTCH ASSY	

SERIAL

CLUTCH

CODE REV

D01_4_72864



V = verde - green - vert - grün

FERRARI

500 serie GRIFON

SCATOLA CAMBIO (500 GR ★ - 520 GR - 530 GR)

GEARBOX
CAJA DE CAMBIO

BOITE DE VITESSES
WECHSELGETRIEBE

DALLA MACCHINA
DE LA MAQUINA
DE LA MACHINE
FROM THE MACHINE
AB DER MASCHINE

AGGIORNAMENTO

REVISION

MISE A JOUR

APLAZAMIENTO

ANPASSUNG

★ N.

E02

Rev.
1

06/2006

ZENNE

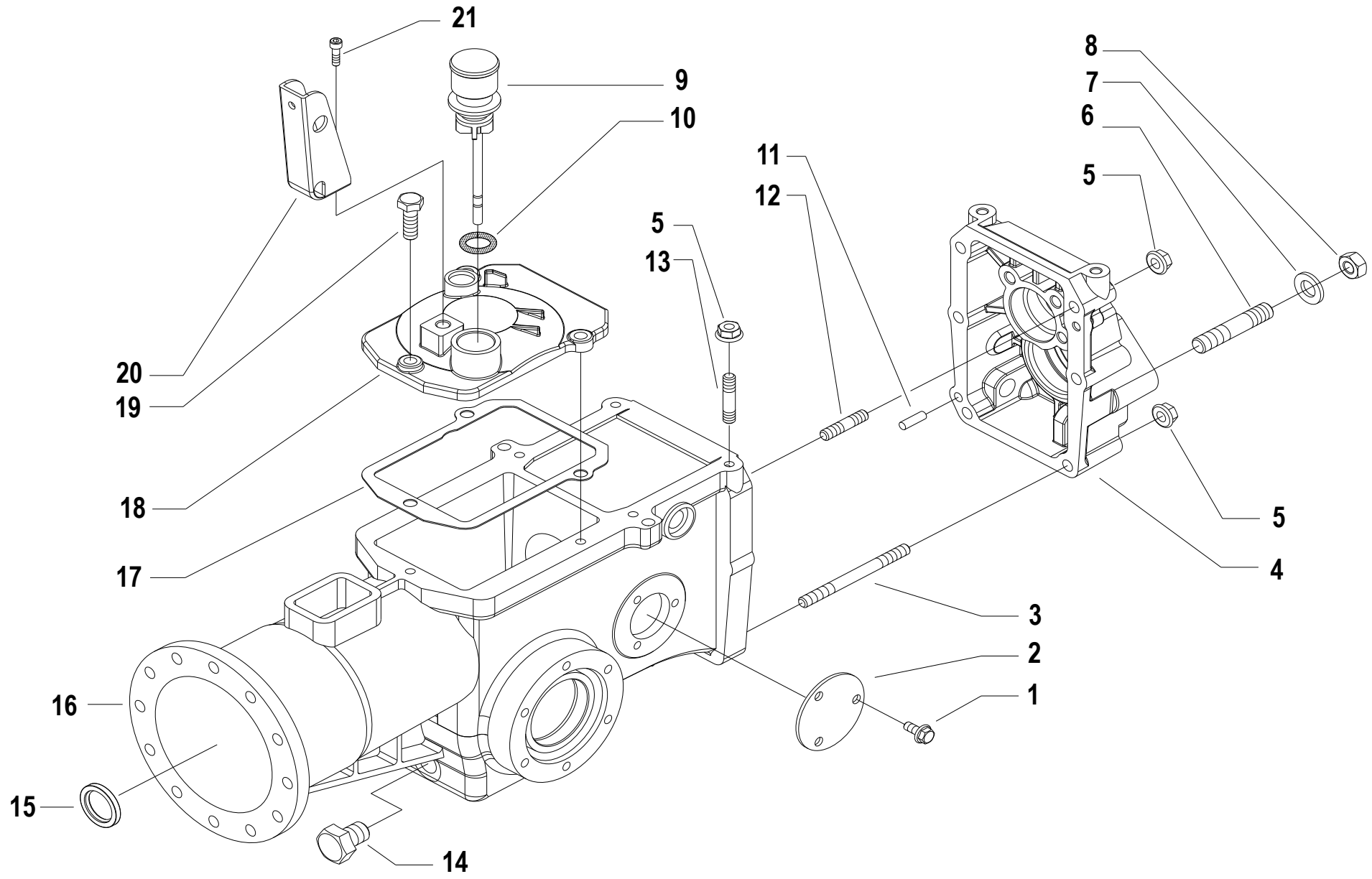
Pos.	Code	Q.ty	Description	Notes
30040001	30040001	1	PLUG	
31111090	31111090	1	SCREW TE M5X10 UNI 5739 8G	
31112151	31112151	1	SCREW TE M8X25 UNI 5739 8G	
31221121	31221121	1	NUT M12X1,25	
31241080	31241080	1	SELFLOCK NUT M8	
31241085	31241085	1	SELFLOCK NUT M8 6S	
31312082	31312082	1	STUD BOLT M8X38X14X20	
31312084	31312084	1	STUD BOLT M8X58X16X16	
31312094	31312094	1	STUD BOLT M8X68X14X36	
31312124	31312124	1	STUD BOLT	
31312125	31312125	1	STUD BOLT	
31421083	31421083	1	WASHER	
31421132	31421132	1	WASHER 13X24X2,8	
31422064	31422064	1	SPRING WASHER 6,4	
31423084	31423084	1	SPRING WASHER 8,4	
38211500	38211500	1	OIL SEAL 15X28X7	
53152401	53152401	1	REAR COVER	
53152402	53152402	1	BODY	
53152411	53152411	1	GEARBOX HOUSING COVER	
53152412	53152412	1	COPERCHIO SCAT.CAMBIO DIFF.*V*	
53156327	53156327	1	BODY	
55102678	55102678	1	RUBBER RING	
56152403	56152403	1	COVER	
58043053	58043053	1	CYLINDRICAL PLUG	
58043117	58043117	1	COVER GASKET	
59015425	59015425	1	PLUG	

SERIAL

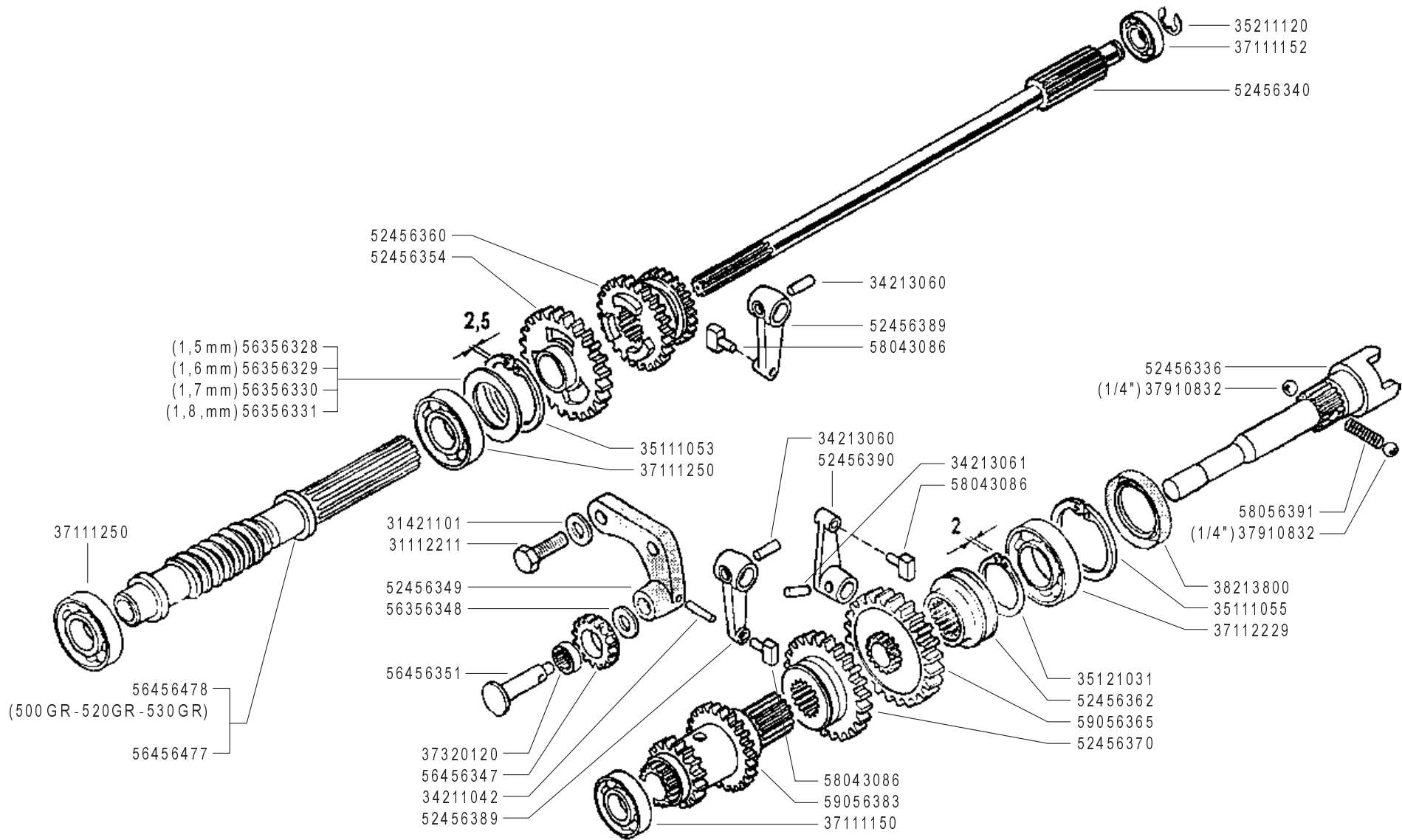
GEARBOX

CODE REV

E02_1_34064



Pos.	Code	Q.ty	Description	Notes
1	31112083	1	SCREW M6X12	
2	56147520Z	1	COVER	
3	31312094	1	STUD BOLT M8X68X14X36	
4	53156332V	1	REAR COVER	
5	31241084	1	SELFLOCK NUT M8 6S	
6	31312124	1	STUD BOLT	For the model 500GR
6	31312125	1	STUD BOLT	
7	31421132	1	WASHER 13X24X2,8	
8	31221121	1	NUT M12X1,25	
9	59015425	1	PLUG	
10	55102678	1	RUBBER RING	
11	58043053	1	CYLINDRICAL PLUG	
12	31312084	1	STUD BOLT M8X58X16X16	
13	31312082	1	STUD BOLT M8X38X14X20	
14	30040001	1	PLUG	
15	38211500	1	OIL SEAL 15X28X7	
16	53156326	1	BODY	
16	53156327	1	BODY	For the model 500GR
17	58043117	1	COVER GASKET	
18	53143875	1	GEARBOX HOUSING COVER	For the model 530GR
18	53143879	1	GEARBOX HOUSING COVER	For models 500GR/520GR
19	31112166	1	SCREW TE C/F M8X25 DIN 6921 8G	
20	56147923	1	BRACKET	
21	59015425	1	PLUG	



INGRANAGGI CAMBIO

(500 GR ★ - 520 GR - 530 GR - 530S GR - S MUSTER)

GEARS

ENGRANAJES

ENGRANAGES

ZÄHRÄDER

DALLA MACCHINA
DE LA MAQUINA
DE LA MACHINE
FROM THE MACHINE
AB DER MASCHINE

AGGIORNAMENTO

REVISION

MISE A JOUR

APLAZAMIENTO

ANPASSUNG

★ N.

F03

06/2006

Rev.

1

ZENNE

FERRARI

500 serie GRIFON

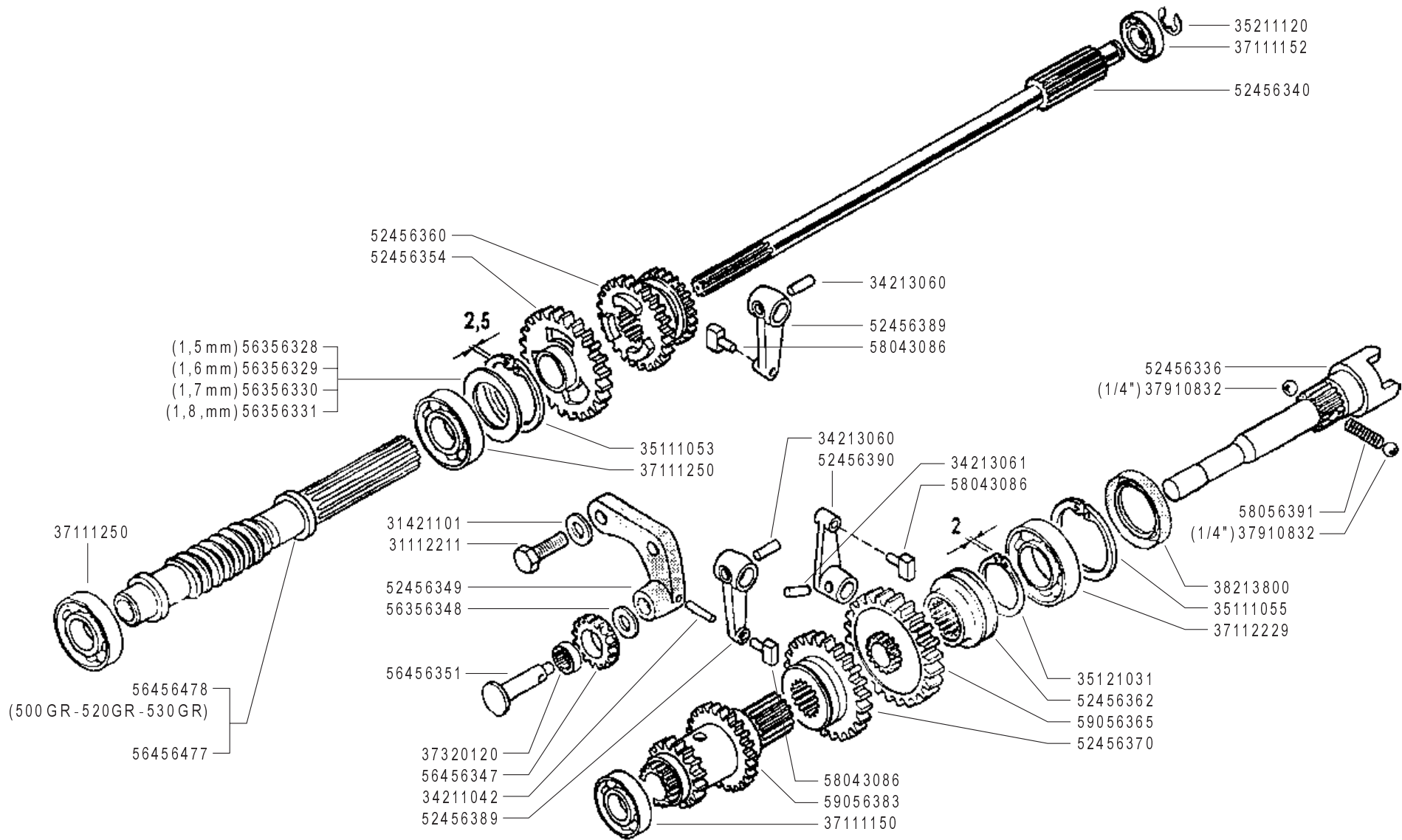
Pos.	Code	Q.ty	Description	Notes
31112211	31112211	1	SCREW TE M10X30 UNI 5739	
31421101	31421101	1	WASHER	
34211042	34211042	1	ROLL PIN	
34213060	34213060	1	ROLL PIN	
34213061	34213061	1	ROLL PIN	
35111053	35111053	1	SEEGER RING I 52 UNI 7438	
35111055	35111055	1	SEEGER RING I 55 DIN 472	
35121031	35121031	1	SEEGER RING E 30 UNI 7436	
35211120	35211120	1	SEEGER RING E 12 UNI 7434	
37111150	37111150	1	BEARING	
37111152	37111152	1	BEARING	
37111250	37111250	1	BEARING	
37112229	37112229	1	BEARING	
37320120	37320120	1	ROLLER CAGE 12X15/10	
37910832	37910832	1	BALL 1/4	
38213800	38213800	1	OIL SEAL 38X55X7	
52456336	52456336	1	PTO SHAFT	
52456340	52456340	1	SHAFT	
52456349	52456349	1	GEAR SUPPORT	
52456354	52456354	1	GEAR	
52456360	52456360	1	SLIDER	
52456362	52456362	1	COUPLING	
52456370	52456370	1	SLIDER	
52456389	52456389	1	LEVER	
52456390	52456390	1	LEVER	
56356328	56356328	1	ADJUSTING RING SP=1,5	
56356329	56356329	1	ADJUSTING RING SP=1,6	
56356330	56356330	1	ADJUSTING RING SP=1,7	
56356331	56356331	1	ADJUSTING RING SP=1,8	
56356348	56356348	1	ADJUSTING RING	
56456347	56456347	1	GEAR	
56456351	56456351	1	GEAR PIN	
56456477	56456477	1	SCREW	
56456478	56456478	1	SCREW	

SERIAL

GEARS

CODE REV

F03_1_34091



FERRARI

500 serie GRIFON

INGRANAGGI CAMBIO
(500 GR ★ - 520 GR - 530 GR - 530S GR - S MUSTER)

GEARS
ENGRANAJES

ENGRANAGES
ZÄHRÄDER

DALLA MACCHINA
DE LA MAQUINA
DE LA MACHINE
FROM THE MACHINE
AB DER MASCHINE

★ N.

AGGIORNAMENTO
REVISION
MISE A JOUR
APLAZAMIENTO
ANPASSUNG

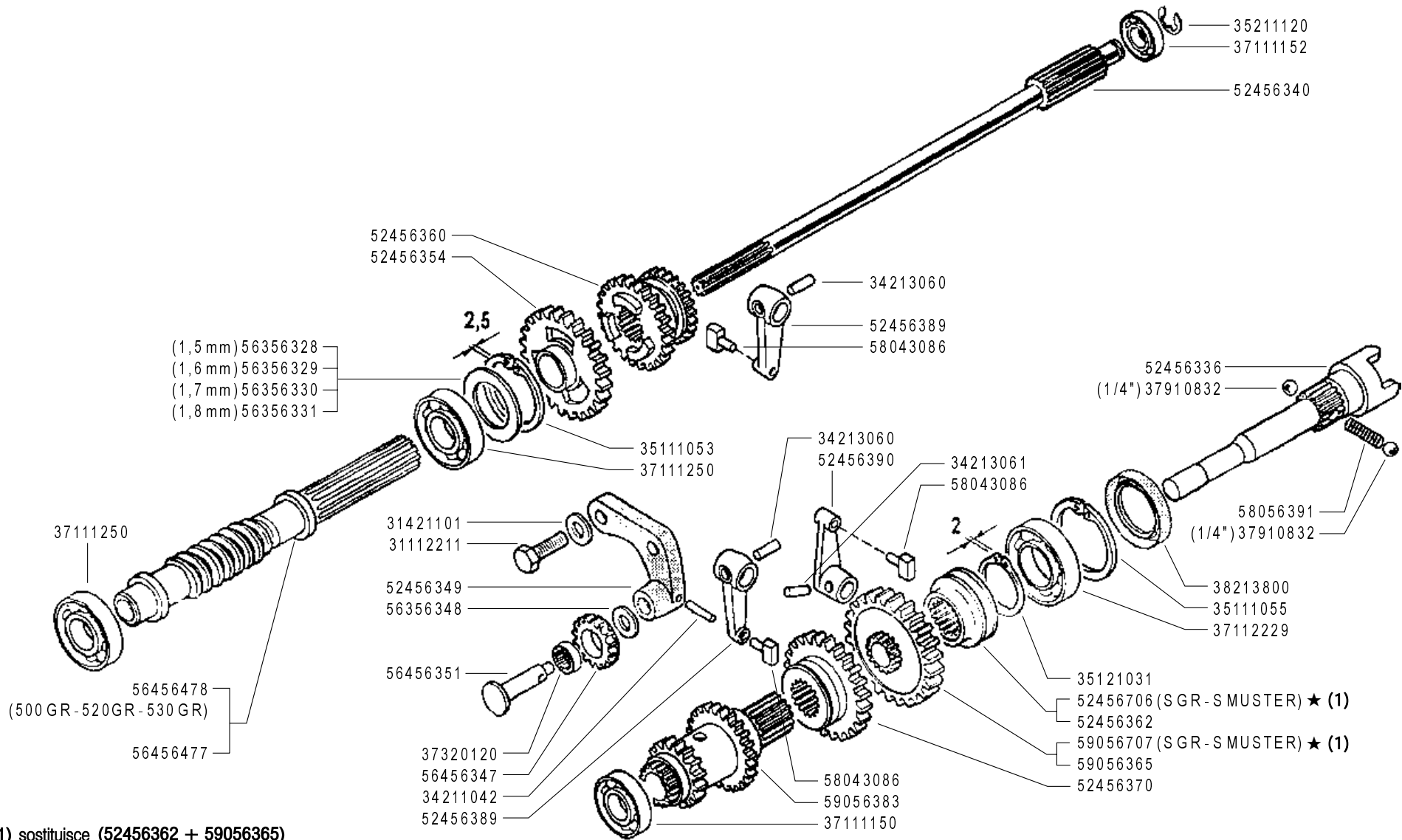
F03

06/2006

Rev.
1

ZENNE

Pos.	Code	Q.ty	Description	Notes
58043086	58043086	1	SHOE	
58056391	58056391	1	SPRING	
59056365	59056365	1	PTO GEAR	
59056383	59056383	1	TRIPLE GEAR	



(1) sostituisce (52456362 + 59056365)

FERRARI

500 serie GRIFON

INGRANAGGI CAMBIO
(500 GR - 520 GR - 530 GR - 530S GR - S MUSTER)

GEARS
ENGRANAJES

ENGRANAGES
ZÄHRÄDER

DALLA MACCHINA
DE LA MAQUINA
DE LA MACHINE
FROM THE MACHINE
AB DER MASCHINE

★ N.

879633

F03

03/2011

Rev.
2

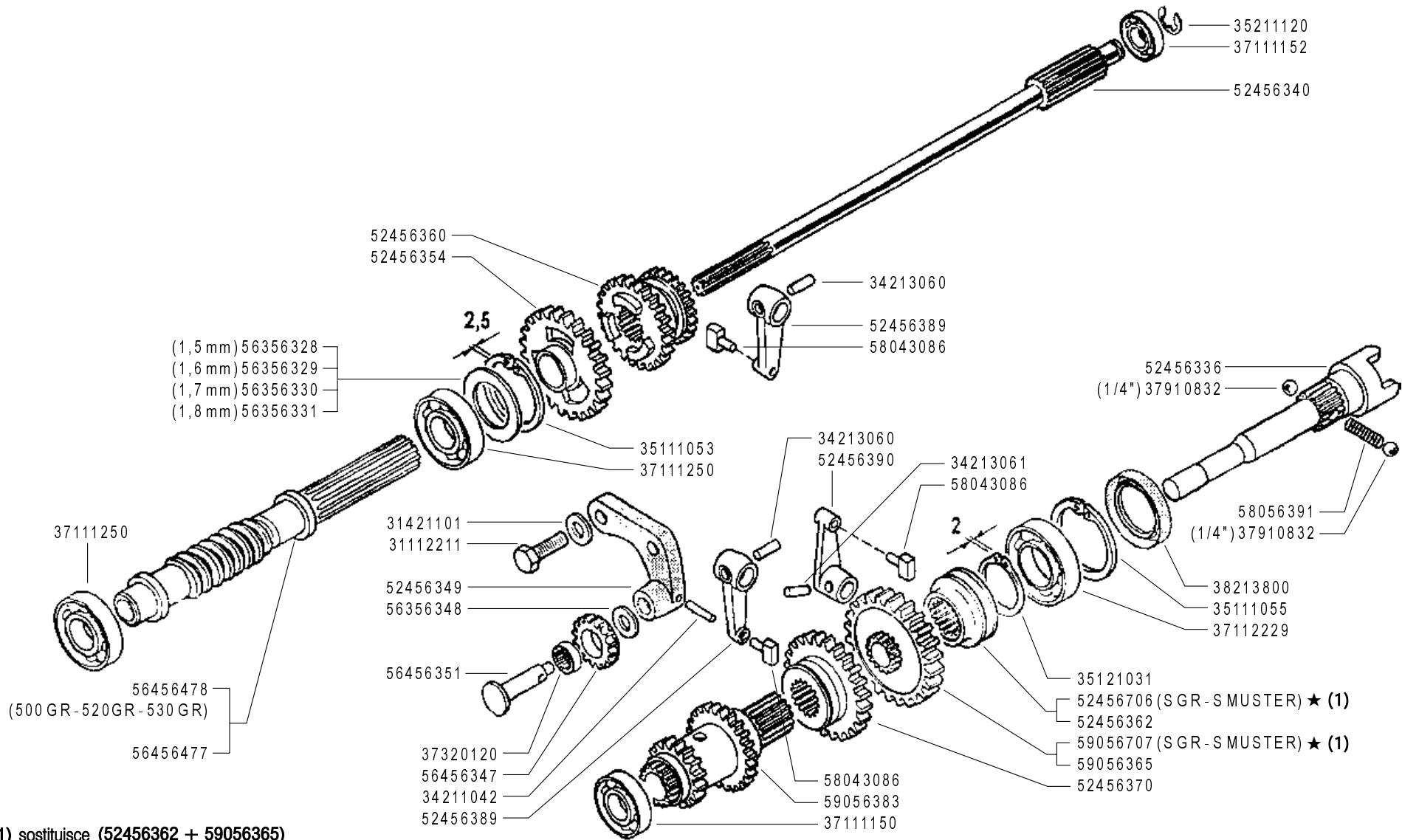
ZENNE

Pos.	Code	Q.ty	Description	Notes
31112211	31112211	1	SCREW TE M10X30 UNI 5739	
31421101	31421101	1	WASHER	
34211042	34211042	1	ROLL PIN	
34213060	34213060	1	ROLL PIN	
34213061	34213061	1	ROLL PIN	
35111053	35111053	1	SEEGER RING I 52 UNI 7438	
35111055	35111055	1	SEEGER RING I 55 DIN 472	
35121031	35121031	1	SEEGER RING E 30 UNI 7436	
35211120	35211120	1	SEEGER RING E 12 UNI 7434	
37111150	37111150	1	BEARING	
37111152	37111152	1	BEARING	
37111250	37111250	1	BEARING	
37112229	37112229	1	BEARING	
37320120	37320120	1	ROLLER CAGE 12X15/10	
37910832	37910832	1	BALL 1/4	
38213800	38213800	1	OIL SEAL 38X55X7	
52456336	52456336	1	PTO SHAFT	
52456340	52456340	1	SHAFT	
52456349	52456349	1	GEAR SUPPORT	
52456354	52456354	1	GEAR	
52456360	52456360	1	SLIDER	
52456362	52456362	1	COUPLING	
52456370	52456370	1	SLIDER	
52456389	52456389	1	LEVER	
52456390	52456390	1	LEVER	
52456706	52456706	1	PTO COUPLING	
56356328	56356328	1	ADJUSTING RING SP=1,5	
56356329	56356329	1	ADJUSTING RING SP=1,6	
56356330	56356330	1	ADJUSTING RING SP=1,7	
56356331	56356331	1	ADJUSTING RING SP=1,8	
56356348	56356348	1	ADJUSTING RING	
56456347	56456347	1	GEAR	
56456351	56456351	1	GEAR PIN	
56456477	56456477	1	SCREW	

SERIAL
START
879633

GEARS

CODE REV
F03_2_90637



(1) sostituisce (52456362 + 59056365)

FERRARI

500 serie GRIFON

INGRANAGGI CAMBIO
(500 GR - 520 GR - 530 GR - 530S GR - S MUSTER)

GEARS
ENGRANAJES

ENGRANAGES
ZÄHNRÄDER

DALLA MACCHINA
DE LA MAQUINA
DE LA MACHINE
FROM THE MACHINE
AB DER MASCHINE

★ N.

879633

F03

03/2011

Rev.
2

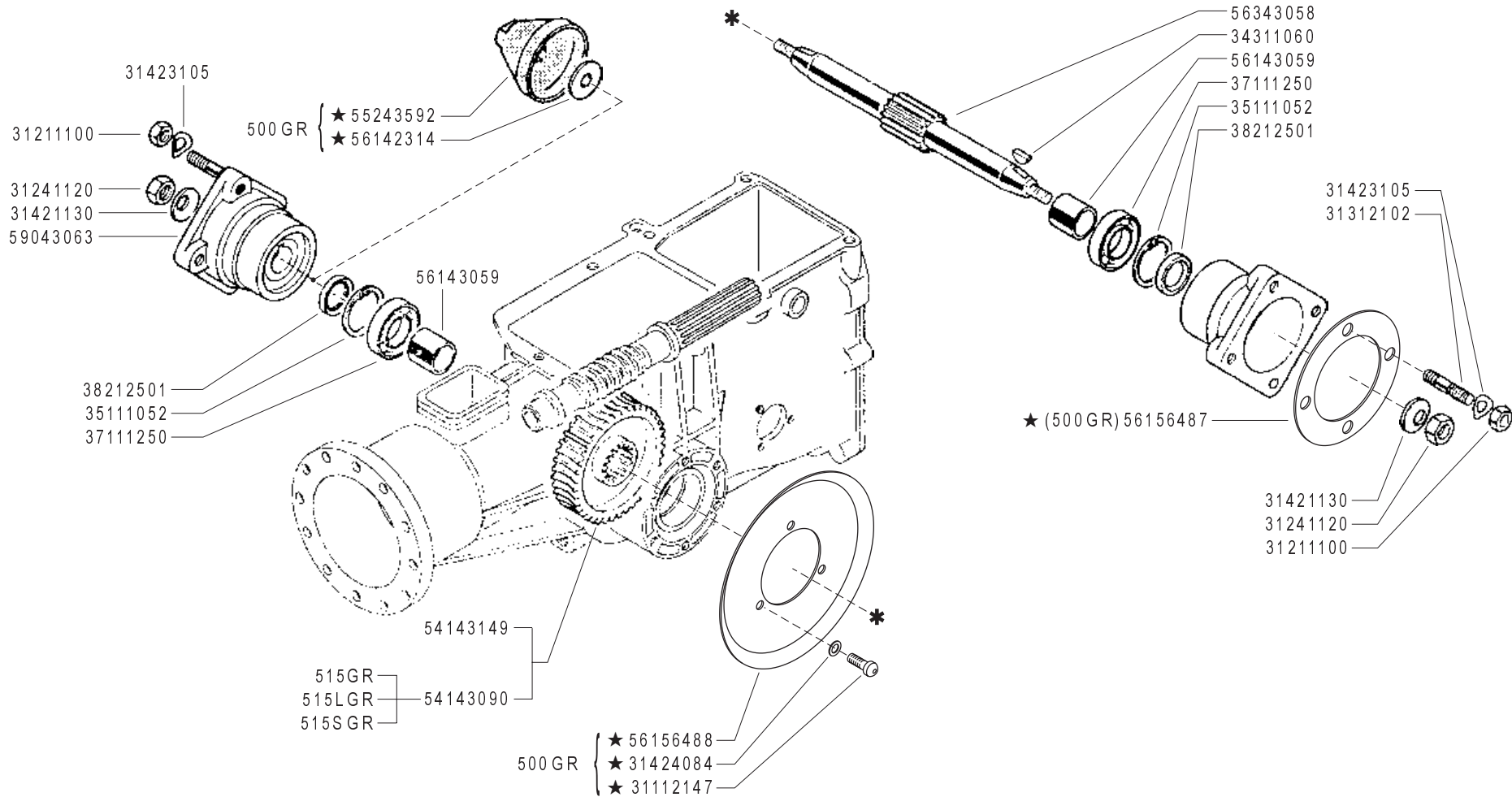
ZENNE

Pos.	Code	Q.ty	Description	Notes
56456478	56456478	1	SCREW	
58043086	58043086	1	SHOE	
58056391	58056391	1	SPRING	
59056365	59056365	1	PTO GEAR	
59056383	59056383	1	TRIPLE GEAR	
59056707	59056707	1	PTO GEAR	

SERIAL
START
879633

GEARS

CODE REV
F03_2_90637



FERRARI

500 serie **GRIFON**

ASSE RUOTE
(500 GR ★ - 515 GR - 515L GR - 515S GR - 520 GR)
WHEEL AXLE
EJE RUEDAS

ESSIEU ROUES
RADACHSE

DALLA MACCHINA
DE LA MAQUINA
DE LA MACHINE
FROM THE MACHINE
AB DER MASCHINE

AGGIORNAMENTO
REVISION
MISE A JOUR
APLAZAMIENTO
ANPASSUNG

★ N.

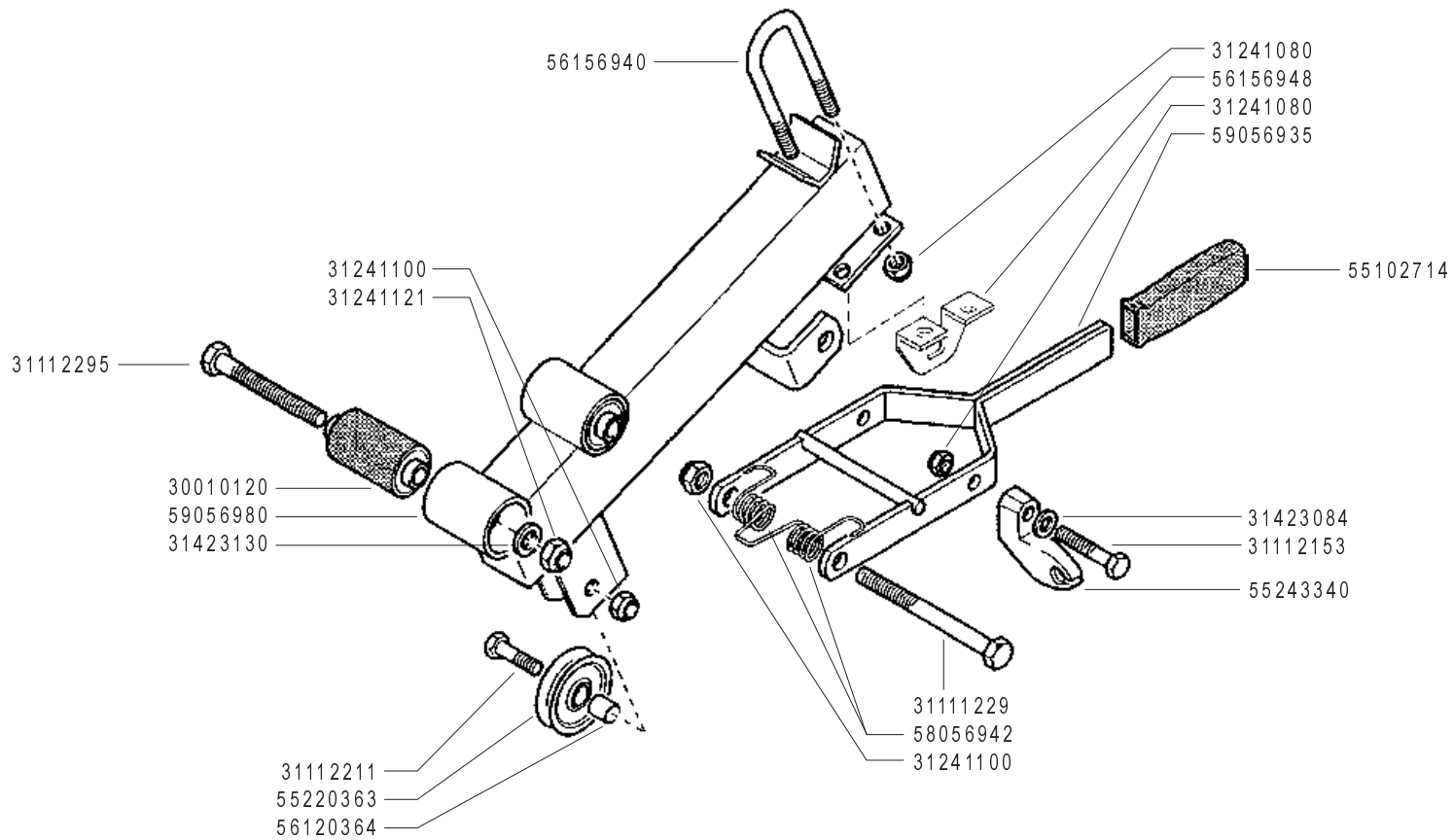
G01

Rev.
1

06/2006

ZENNE

Pos.	Code	Q.ty	Description	Notes
31112147	31112147	1	SCREW TE M8X18 UNI 5739 8G	
31211100	31211100	1	NUT M10	
31241120	31241120	1	SELFLOCK NUT M12	
31312102	31312102	1	STUD BOLT M10X40X24X12	
31421130	31421130	1	WASHER	
31423105	31423105	1	SPRING WASHER 10,5	
31424084	31424084	1	SPRING WASHER 8,4	
34311060	34311060	1	KEY 6X10 UNI 6606	
35111052	35111052	1	SEEGER RING I 52 DIN 472	
37111250	37111250	1	BEARING	
38212501	38212501	1	OIL SEAL 25X52X10	
54143090	54143090	1	CROWN WHEEL	
54143149	54143149	1	CROWN WHEEL	
55243592	55243592	1	CAP	
56142314	56142314	1	WASHER 12,5x34/4	
56143059	56143059	1	SPACER	
56156487	56156487	1	SPACER	
56156488	56156488	1	GUARD	
56343058	56343058	1	AXLE SHAFT	
59043063	59043063	1	WHEEL HUB	



FERRARI

500 serie GRIFON

PIANTONE (500 GR)

STEERING COLUMN
COLUMNNA

PLANTON
LENKSÄULE

DALLA MACCHINA
DE LA MAQUINA
FROM THE MACHINE
AB DER MASCHINE

N.

H03

Rev.
0

06/2006

ZENNE

Pos.	Code	Q.ty	Description	Notes
30010120	30010120	1	SILENT-BLOCK 12X40X58X66	
31111229	31111229	1	SCREW TE M10X110 UNI 5737 8G	
31112153	31112153	1	SCREW TE M8X35 UNI 5739 8G	
31112211	31112211	1	SCREW TE M10X30 UNI 5739	
31112295	31112295	1	SCREW TE M12X90 UNI 5737	
31241080	31241080	1	SELFLOCK NUT M8	
31241100	31241100	1	SELFLOCK NUT M10 6S	
31241121	31241121	1	SELFLOCK NUT M12	
31423084	31423084	1	SPRING WASHER 8,4	
31423130	31423130	1	SPRING WASHER 13	
55102714	55102714	1	KNOB	
55220363	55220363	1	PULLEY	
55243340	55243340	1	SUPPORT	
56120364	56120364	1	SLEEVE	
56156940	56156940	1	U BOLT	
56156948	56156948	1	STOP	
58056942	58056942	1	SPRING	
59056935	59056935	1	LEVER	
59056980	59056980	1	COLUMN	

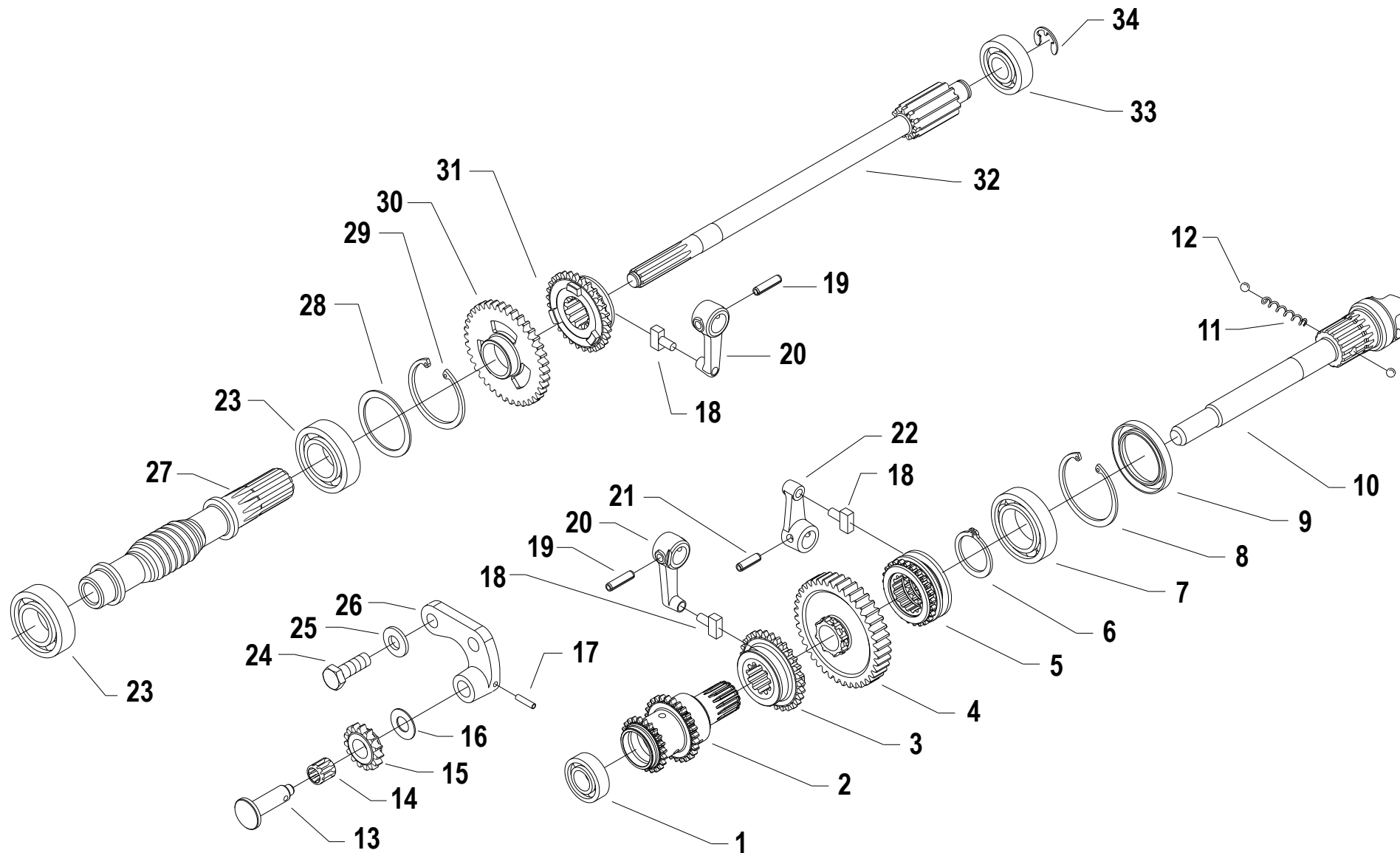


F03_03 - INGRANAGGI CAMBIO (500 GR-520 GR-530 GR-530S GR-S MUSTER)

CODE REV

SERIAL START 863327

F.03.02.A0011_03



Pos.	Code	Q.ty	Description	Notes
1	37111150		BEARING	
2	59056383		TRIPLE GEAR	
3	52456370		SLIDER	
4	59056707		PTO GEAR	Replaces 59056365 + 52456362 from serial 863 327 for
5	52456706		PTO COUPLING	Replaces 59056365 + 52456362 from serial 863327 for
6	35121031		SEEGER RING E 30 UNI 7436	
7	37112229		BEARING	
8	35111055		SEEGER RING I 55 DIN 472	
9	38213800		OIL SEAL 38X55X7	
10	52456336		PTO SHAFT	
11	58056391		SPRING	
12	37910832		BALL 1/4	
13	56456736		PERNO INGRANAGGIO OZIOSO	Replaces 56456351
14	37320120		ROLLER CAGE 12X15/10	
15	56456347		GEAR	
16	56356348		ADJUSTING RING	
17	34211042		ROLL PIN	
18	58043086		SHOE	
19	34213060		ROLL PIN	
20	52456389		LEVER	
21	34213061		ROLL PIN	
22	52456390		LEVER	
23	37141250		BEARING	
23	37111250		BEARING	
24	31112211		SCREW TE M10X30 UNI 5739	
25	31421101		WASHER	
26	52456349		GEAR SUPPORT	
27	56456477		SCREW	For models 500GR-520GR-530GR
27	56456478		SCREW	For models 500GR-520GR-530GR
28	56356328		ADJUSTING RING SP=1,5	
28	56356329		ADJUSTING RING SP=1,6	
28	56356330		ADJUSTING RING SP=1,7	
28	56356331		ADJUSTING RING SP=1,8	
29	35111053		SEEGER RING I 52 UNI 7438	

SERIAL
START
863327

F03_03 - INGRANAGGI CAMBIO (500 GR-520 GR-530 GR-530S GR-S MUSTER)

CODE REV

F.03.02.A0011_03

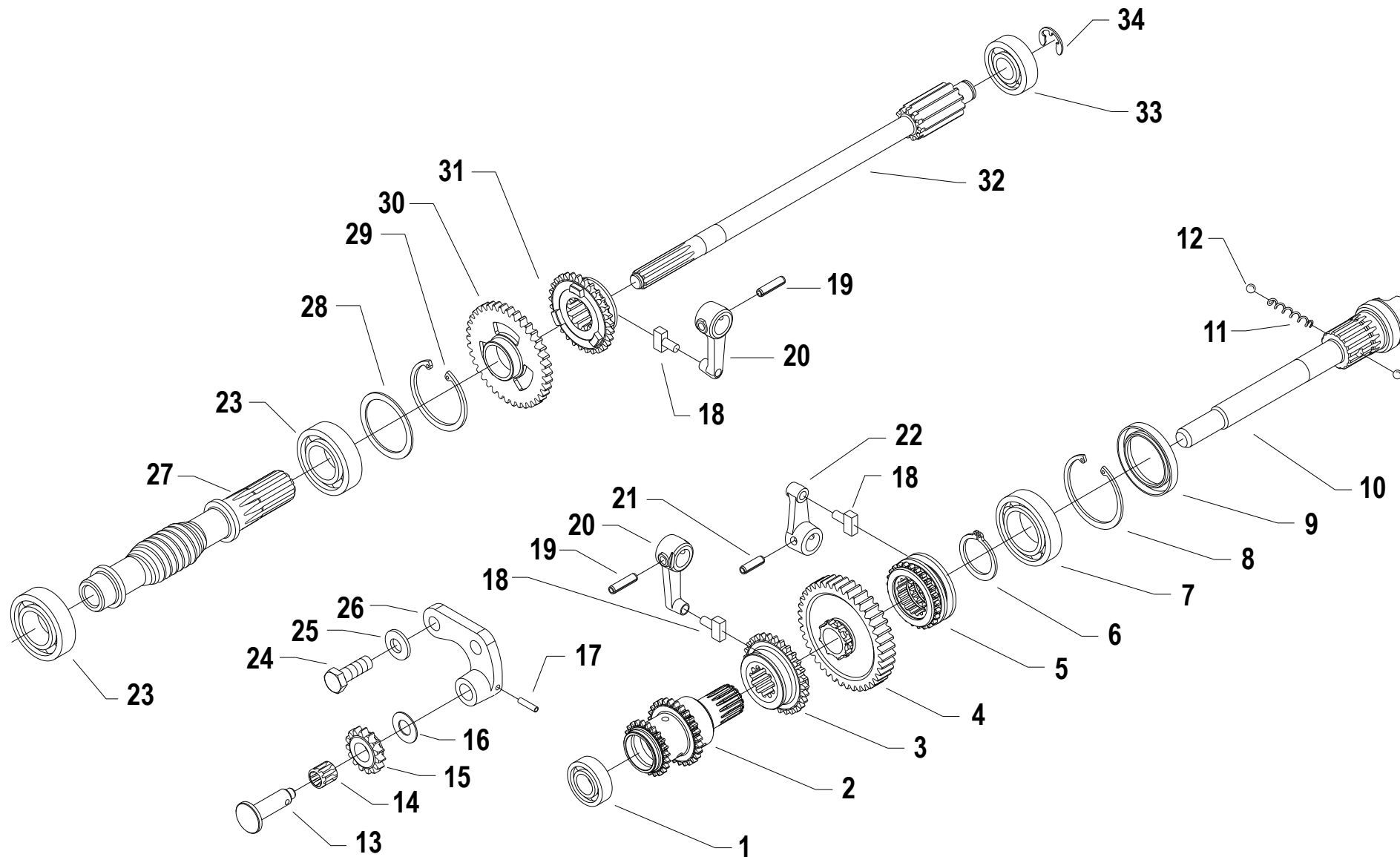


F03_03 - INGRANAGGI CAMBIO (500 GR-520 GR-530 GR-530S GR-S MUSTER)

CODE REV

SERIAL START 863327

F.03.02.A0011_03

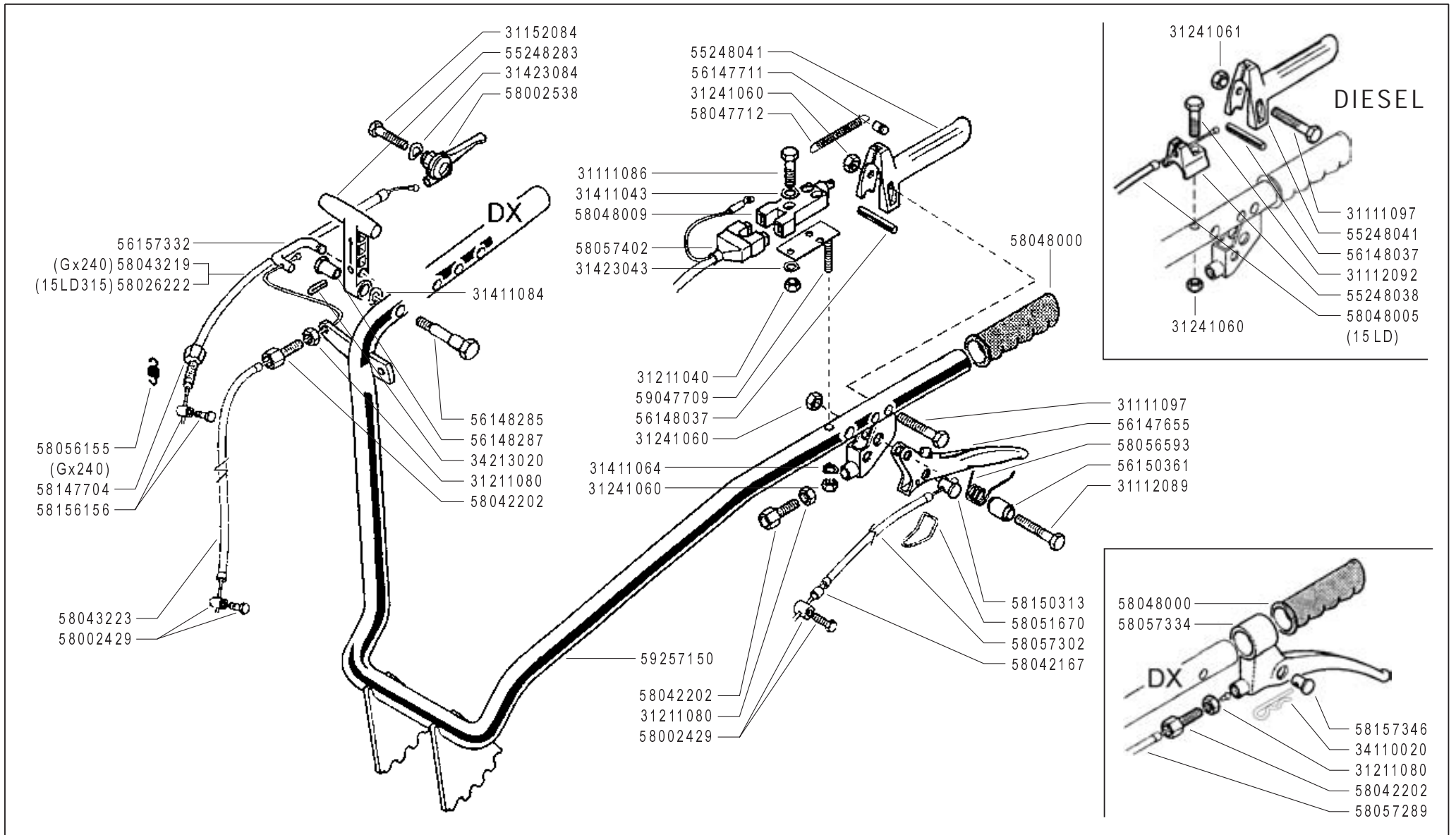


Pos.	Code	Q.ty	Description	Notes
30	52456354		GEAR	
31	52456360		SLIDER	
32	52456340		SHAFT	
33	37111152		BEARING	
34	35211120		SEEGER RING E 12 UNI 7434	

SERIAL
START
863327

F03_03 - INGRANAGGI CAMBIO (500 GR-520 GR-530 GR-530S GR-S MUSTER)

CODE REV
F.03.02.A0011_03



FERRARI

500 serie GRIFON

MANUBRIO (500 GR)

HANDLEBAR
MANILLAR

MANCHERON
LENKER

DALLA MACCHINA
DE LA MAQUINA
DE LA MACHINE
FROM THE MACHINE
AB DER MASCHINE

N.

I05 0

06/2006

Rev.

ZENNE

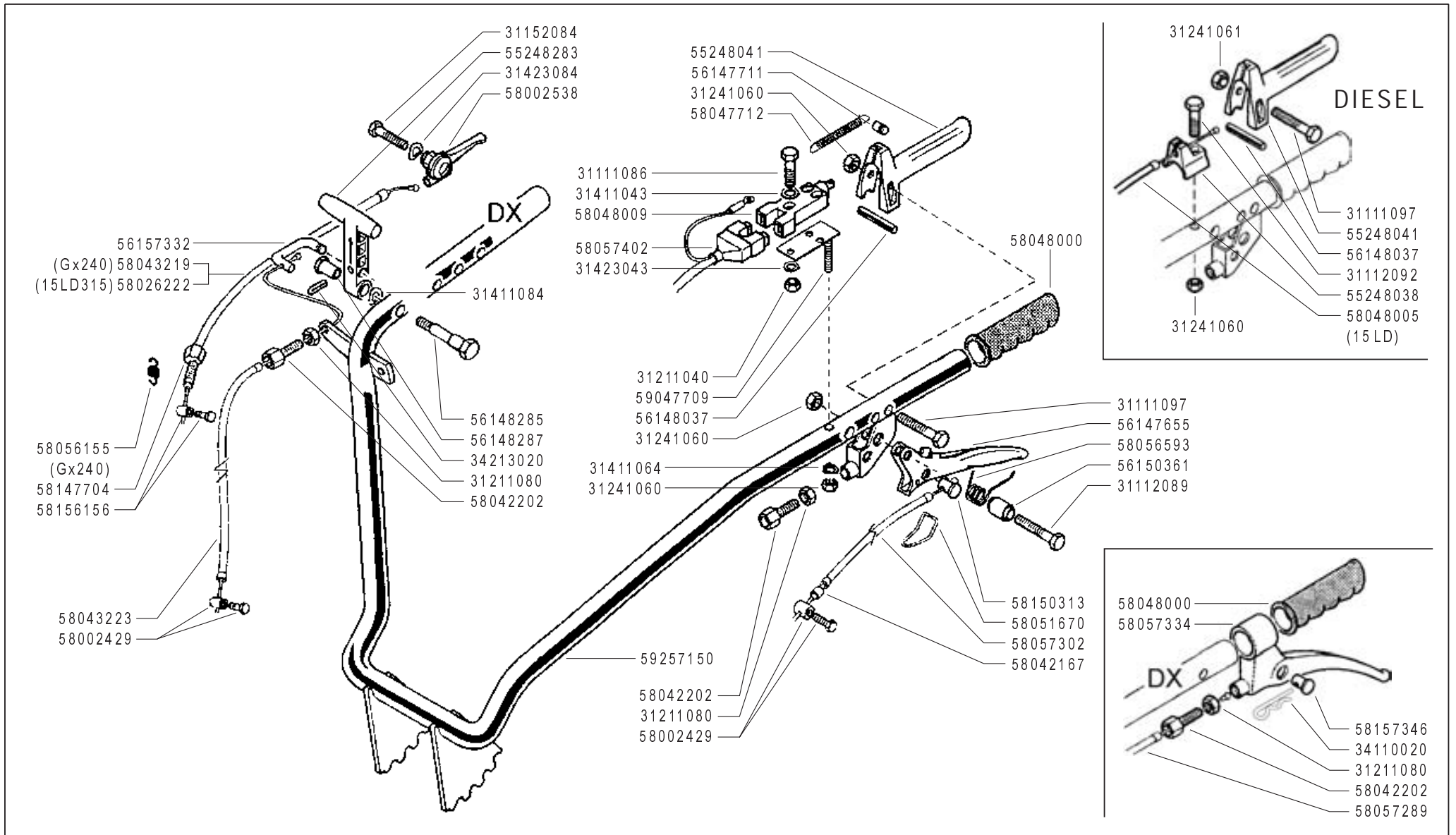
Pos.	Code	Q.ty	Description	Notes
31111086	31111086	1	SCREW TE M4X25 UNI 5739 8G	
31111097	31111097	1	SCREW TE M6X45 UNI 5737 8G	
31112089	31112089	1	SCREW TE M6X25 UNI 5739 8G	
31112092	31112092	1	SCREW TE M6X35 UNI 5739 8G	
31152084	31152084	1	SCREW TCEI M8X35 UNI 5931	
31211040	31211040	1	NUT M4	
31211080	31211080	1	NUT M8	
31241060	31241060	1	SELFLOCK NUT M6	
31241061	31241061	1	SELFLOCK NUT M6 6S	
31411043	31411043	1	WASHER 4,3X9	
31411064	31411064	1	WASHER 6,4x12,5	
31411084	31411084	1	WASHER 8,4x17	
31423043	31423043	1	SPRING WASHER 4,3	
31423084	31423084	1	SPRING WASHER 8,4	
34110020	34110020	1	SPLIT PIN	
34213020	34213020	1	ROLL PIN	
55248038	55248038	1	STOP	
55248041	55248041	1	LEVER	
55248283	55248283	1	COMMAND LEVER	
56147655	56147655	1	CLUTCH LEVER	
56147711	56147711	1	PIN	
56148037	56148037	1	LEVER STOP	
56148285	56148285	1	PIN	
56148287	56148287	1	STUD BOLT	
56150361	56150361	1	SPACER	
56157332	56157332	1	U BOLT	
58002429	58002429	1	CLAMPING SCREW	
58002538	58002538	1	COMMAND LEVER	
58026222	58026222	1	LINE AND SHEATH	
58042167	58042167	1	SHEATH TERMINAL	
58042202	58042202	1	ADJUSTING SCREW	
58043219	58043219	1	LINE AND SHEATH	
58043223	58043223	1	LINE AND SHEATH	
58047712	58047712	1	SPRING	

SERIAL

HANDLEBAR

CODE REV

I05_0_34171



FERRARI

500 serie GRIFON

MANUBRIO (500 GR)

HANDLEBAR
MANILLAR

MANCHERON
LENKER

DALLA MACCHINA
DE LA MAQUINA
DE LA MACHINE
FROM THE MACHINE
AB DER MASCHINE

N.

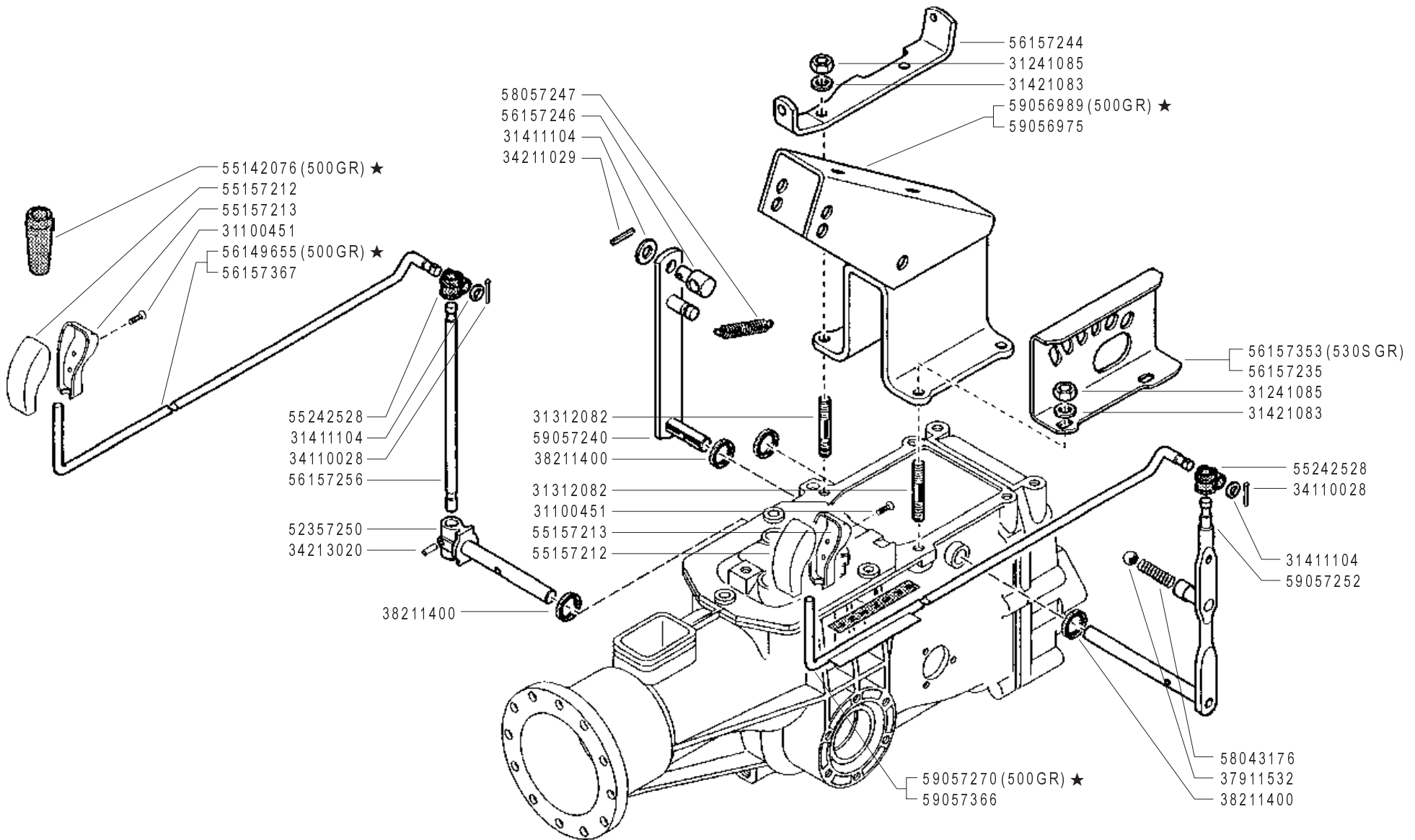
I05 0

06/2006

Rev.

ZENNE

Pos.	Code	Q.ty	Description	Notes
58048000	58048000	1	KNOB	
58048005	58048005	1	LINE AND SHEATH	
58048009	58048009	1	SWITCH	
58051670	58051670	1	CLEVIS	
58056155	58056155	1	RESTORING SPRING	Utilizzato con motore GX270
58056593	58056593	1	SPRING	
58057289	58057289	1	LINE AND SHEATH	
58057302	58057302	1	LINE AND SHEATH	
58057334	58057334	1	LEVER	
58057402	58057402	1	WIRING	
58147704	58147704	1	ADJUSTING SCREW	
58150313	58150313	1	CABLE CLAMP	
58156156	58156156	1	TERMINAL	
58157346	58157346	1	CABLE CLAMP	
59047709	59047709	1	SWITCH SUPPORT	
59257150	59257150	1	COMPLETE HANDLE BAR	



FERRARI

500 serie GRIFON

COMANDI
 (500 GR ★ - 520 GR - 530 GR - 530S GR - S MUSTER)
 CONTROLS
 MANDOS
 COMMANDES
 ANTRIEBE

DALLA MACCHINA
 DE LA MAQUINA
 DE LA MACHINE
 FROM THE MACHINE
 AB DER MASCHINE

AGGIORNAMENTO
 REVISION
 MISE A JOUR
 APLAZAMIENTO
 ANPASSUNG

★ N.

J02

06/2006

Rev. 1

ZENNE

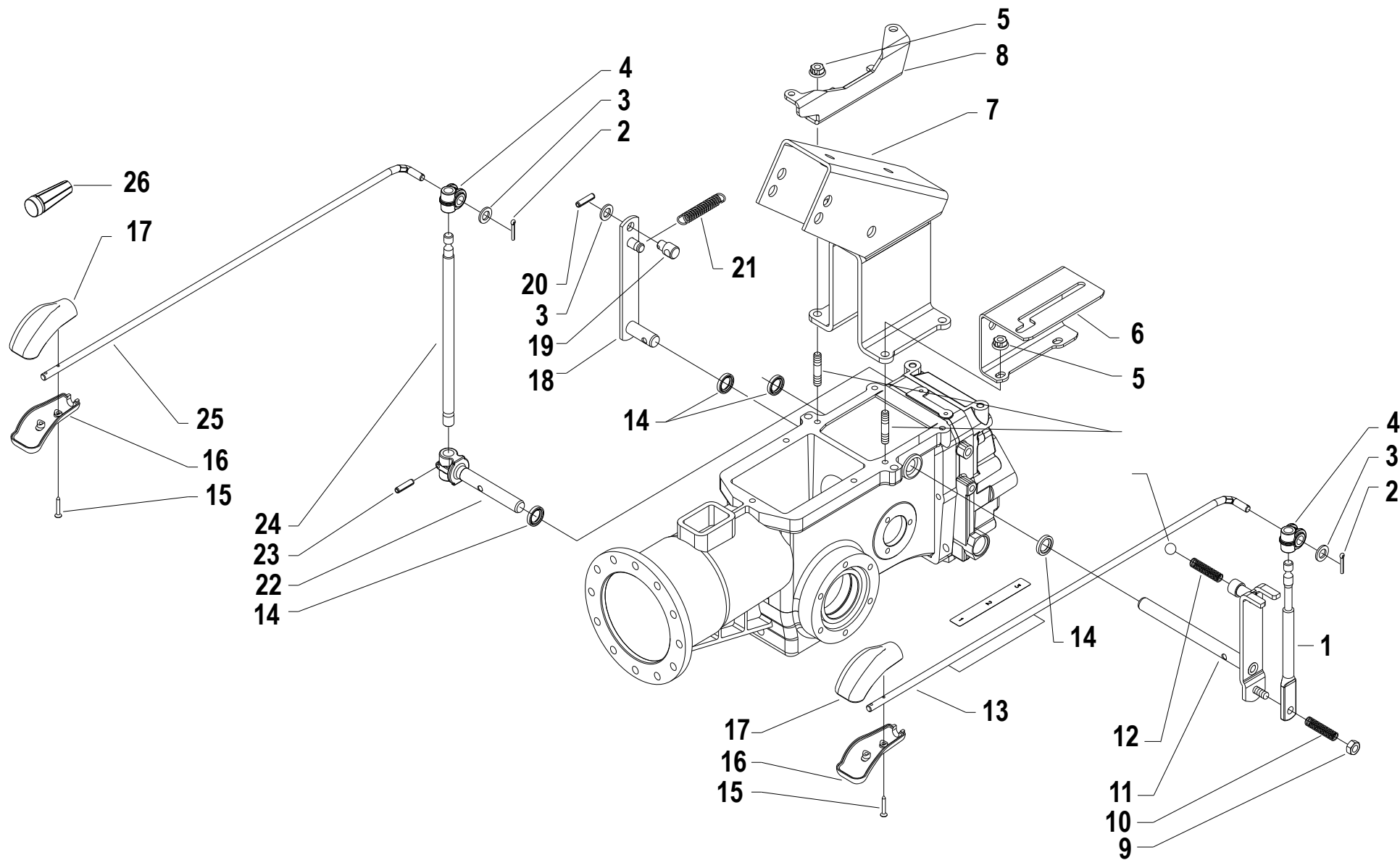
Pos.	Code	Q.ty	Description	Notes
31100451	31100451	1	SCREW 3,5X25	
31241085	31241085	1	SELFLOCK NUT M8 6S	
31312082	31312082	1	STUD BOLT M8X38X14X20	
31411104	31411104	1	WASHER 10,5x18	
31421083	31421083	1	WASHER	
34110028	34110028	1	SPLIT PIN	
34211029	34211029	1	ROLL PIN	
34213020	34213020	1	ROLL PIN	
37911532	37911532	1	BALL 15/32	
38211400	38211400	1	OIL SEAL 14X22X4	
52357250	52357250	1	PIN	
55142076	55142076	1	KNOB	
55157212	55157212	1	GRIP	
55157213	55157213	1	GRIP	
55242528	55242528	1	JOINT	
56149655	56149655	1	PULL ROD	
56157235	56157235	1	GEAR SELECTOR	
56157244	56157244	1	STOP	
56157246	56157246	1	STOP	
56157256	56157256	1	PTO LEVER	
56157353	56157353	1	GEAR SELECTOR	
56157367	56157367	1	ROD	
58043176	58043176	1	SPRING	
58057247	58057247	1	SPRING	
59056975	59056975	1	SUPPORT	
59056989	59056989	1	SUPPORT	
59057240	59057240	1	LEVER	
59057252	59057252	1	GEAR LEVER	
59057270	59057270	1	GEARSHIFT ROD	
59057366	59057366	1	PULL ROD	

SERIAL

CONTROLS

CODE REV

J02_1_34222



Pos.	Code	Q.ty	Description	Notes
1	56157271N	1	COMMAND LEVER	
2	34110028	1	SPLIT PIN	
3	31411104	1	WASHER 10,5x18	
4	55242528	1	JOINT	
5	31241084	1	SELFLOCK NUT M8 6S	
6	56157424H	1	GEARS SELECTOR	
6	56157432H	1	SPEED SELECTOR	For Model 530S GR
7	59056975	1	SUPPORT	
7	59056989	1	SUPPORT	For the model 500GR
8	56157429N	1	CONTRASTO LEVA INVERTITORE MF	
9	31241080	1	SELFLOCK NUT M8	
10	58057232Z	1	SPRING	
11	59057430N	1	COMPLETE GEAR LEVER	
12	58043176	1	SPRING	
13	59057270	1	GEARSHIFT ROD	For the model 500GR
13	59057366	1	PULL ROD	
14	38211400	1	OIL SEAL 14X22X4	
15	31100451	1	SCREW 3,5X25	
16	55157213	1	GRIP	
17	55157212	1	GRIP	
18	59057240	1	LEVER	
19	56157246	1	STOP	
20	34211029	1	ROLL PIN	
21	58057247	1	SPRING	
22	52357250	1	PIN	
23	34213020	1	ROLL PIN	
24	56157256	1	PTO LEVER	
25	56157367	1	ROD	
25	56149655	1	PULL ROD	For the model 500GR
26	55142076	1	KNOB	For the model 500GR

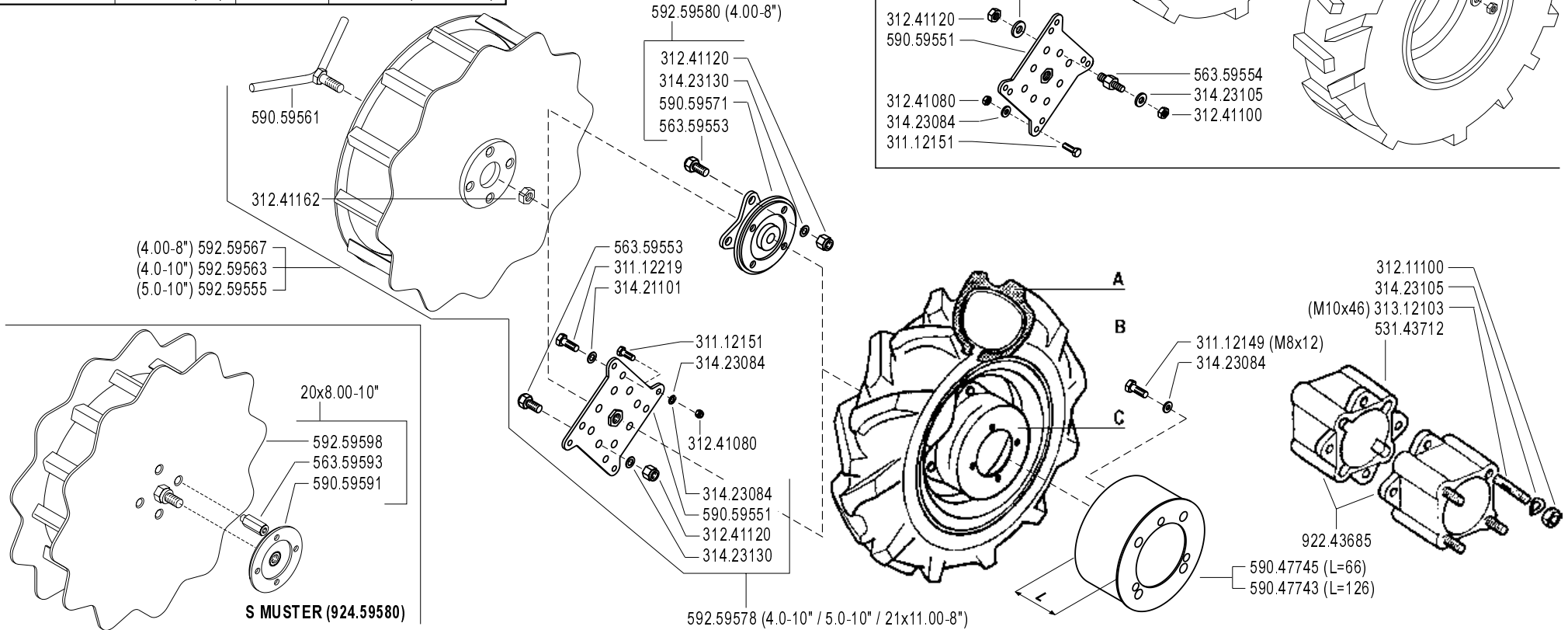
SERIAL
START
867450

CONTROLS

CODE REV
J.02.02.A0011_02

	A	B	C
3.50 - 8" (500)	39113502	39413502	58052325
3.50 - 8"	39113502	39413502	58052326
4.00 - 8"	39114008	39414008	58052326
4.0 - 10"	39114010	39414010	58052327
5.0 - 10"	39115010	39415010	58052327
6.5 / 8.0 - 12"	39116018	39416018	F0849044070
21 x 11.00 - 8"	39113501	TUBELESS	58052274
20 x 8.00 - 10"	39118021 (TR)	39416025	58052281
20 x 8.00 - 10"	39118020 (GA)	39415010	58052280 (S MUSTER)

924.57794
KIT GEMELLAGGIO PER 4.0-10" / 5.0-10"
TWINNING KIT FOR 4.0-10" / 5.0-10"
JUMELAGE KIT POUR 4.0-10" / 5.0-10"
KIT GEMELOS POR 4.0-10" / 5.0-10"
ZWILLINGSKIT 4.0-10" / 5.0-10"



FERRARI **500** serie **GRIFON**

RUOTE
 WHEELS
 ROUES
 RÄDER

DALLA MACCHINA
 DE LA MAQUINA
 DE LA MACHINE
 FROM THE MACHINE
 AB DER MASCHINE
N.

ERRATA CORRIGE

L01
10/2004

Rev. **1**
 ZENNE

Pos.	Code	Q.ty	Description	Notes
31112149	31112149	0	SCREW TE M8X12 UNI 5739 8G	
31112151	31112151	0	SCREW TE M8X25 UNI 5739 8G	
31112219	31112219	0	SCREW TE M10X25 UNI 5739	
31211100	31211100	0	NUT M10	
31241080	31241080	0	SELFLOCK NUT M8	
31241100	31241100	0	SELFLOCK NUT M10 6S	
31241120	31241120	0	SELFLOCK NUT M12	
31241162	31241162	0	SELFLOCK NUT	
31312103	31312103	0	STUD BOLT M10X46X24X16	
31421101	31421101	0	WASHER	
31423084	31423084	0	SPRING WASHER 8,4	
31423105	31423105	0	SPRING WASHER 10,5	
31423130	31423130	0	SPRING WASHER 13	
39113501	39113501	0	TYRE 21X11.00-8	
39113502	39113502	0	TYRE 3.50-8 2PR	
39114008	39114008	0	TYRE 4.00-8 2PR	
39114010	39114010	0	TYRE 4.0-10 2PR	
39115010	39115010	0	TYRE 5.00-10 2PR	
39116018	39116018	0	TYRE 6.5/80-12 2PR	
39118020	39118020	0	TYRE 20X8.00-10 4PR	
39118021	39118021	0	COVER	
39413502	39413502	0	INNER TUBE	
39414008	39414008	0	INNER TUBE	
39414010	39414010	0	INNER TUBE	
39415010	39415010	0	INNER TUBE	
39416018	39416018	0	INNER TUBE	
39416025	39416025	0	INNER TUBE	
53143712	53143712	0	SPACER	
56359553	56359553	0	PIN	
56359554	56359554	0	PIN	
56359593	56359593	0	DRIVING PIN	
58052274	58052274	0	RIM	
58052280	58052280	1	RIM	
58052281	58052281	0	RIM	

SERIAL

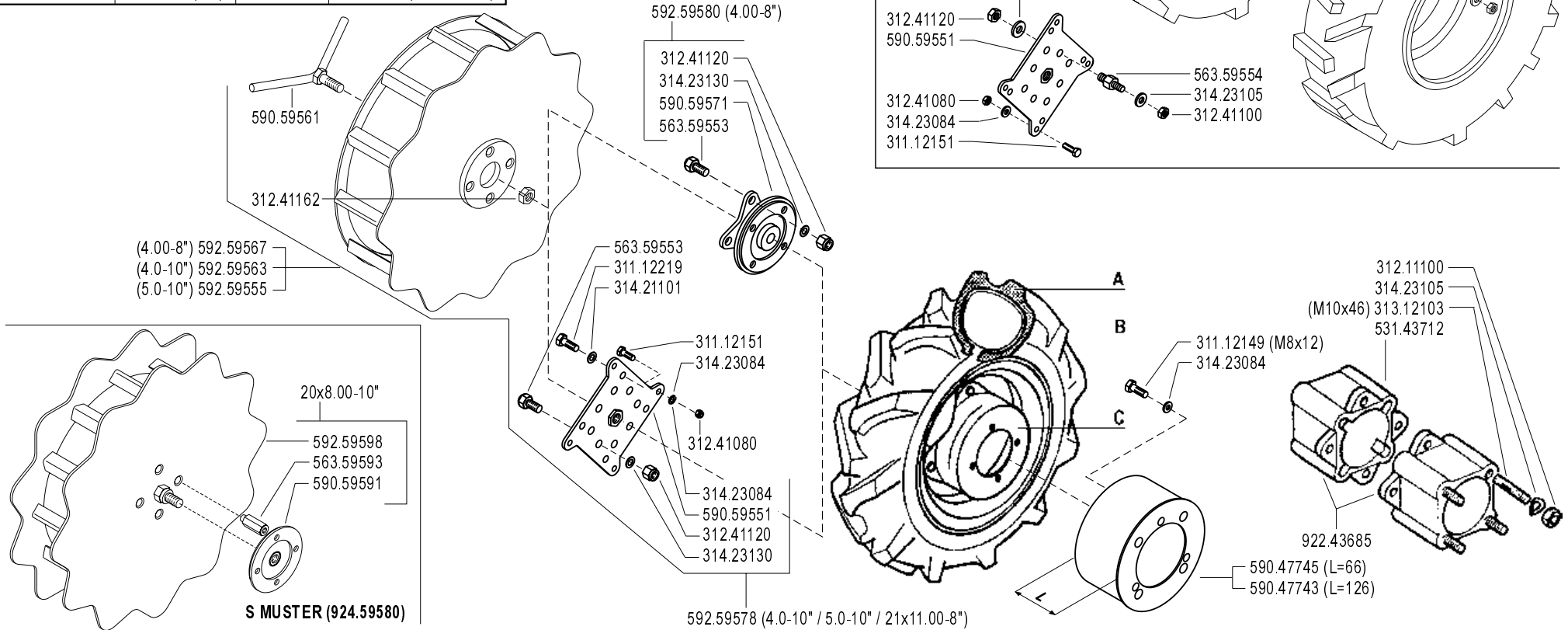
WHEELS

CODE REV

L01_1_27708

	A	B	C
3.50 - 8" (500)	39113502	39413502	58052325
3.50 - 8"	39113502	39413502	58052326
4.00 - 8"	39114008	39414008	58052326
4.0 - 10"	39114010	39414010	58052327
5.0 - 10"	39115010	39415010	58052327
6.5 / 8.0 - 12"	39116018	39416018	F0849044070
21 x 11.00 - 8"	39113501	TUBELESS	58052274
20 x 8.00 - 10"	39118021 (TR)	39416025	58052281
20 x 8.00 - 10"	39118020 (GA)	39415010	58052280 (S MUSTER)

924.57794
KIT GEMELLAGGIO PER 4.0-10" / 5.0-10"
TWINNING KIT FOR 4.0-10" / 5.0-10"
JUMELAGE KIT POUR 4.0-10" / 5.0-10"
KIT GEMELOS POR 4.0-10" / 5.0-10"
ZWILLINGSKIT 4.0-10" / 5.0-10"



FERRARI

500 serie **GRIFON**

WHEELS
RUEDAS

RUOTE

ROUES
RÄDER

DALLA MACCHINA
DE LA MAQUINA
DE LA MACHINE
FROM THE MACHINE
AB DER MASCHINE

ERRATA CORRIGE

N.

L01

10/2004

Rev.

1

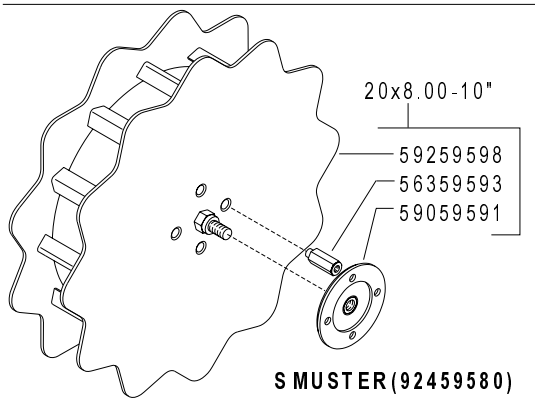
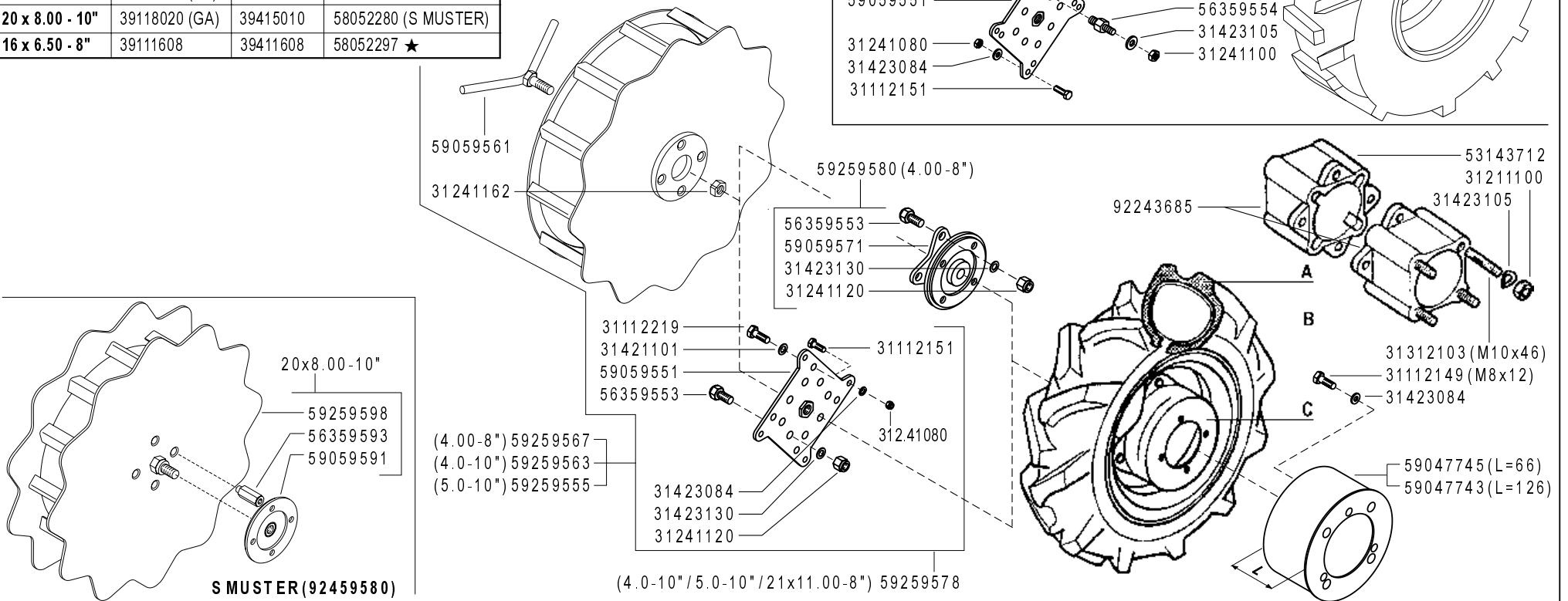
ZENNE

Pos.	Code	Q.ty	Description	Notes
58052325	58052325	0	RIM	
58052326	58052326	0	RIM	
58052327	58052327	0	RIM	
59047743	59047743	0	HUBCOVER	
59047745	59047745	0	HUBCOVER	
59059551	59059551	0	FLANGE	
59059561	59059561	0	SCREW	
59059571	59059571	0	FLANGE	
59059591	59059591	0	SPACER	
59259555	59259555	0	SUPER-BITE WHEEL X 5.00-10	
59259563	59259563	0	WHEEL	
59259567	59259567	0	WHEEL	
59259578	59259578	0	FLANGE KIT	
59259580	59259580	0	FLANGE KIT	
59259598	59259598	0	WHEEL	
92243685	92243685	0	PAIR WHEEL SPACERS 6 CM	
92457794	92457794	0	ADAPTOR PLATES 10 WHEELS (PAIR)	
92459580	92459580	0	COPPIA R.MARGHER.20X8.0-10 FER	
F0849044	F0849044070	0	WHEEL DISC	

	A	B	C
3.50 - 8" (500)	39113502	39413502	58052325
3.50 - 8"	39113502	39413502	58052326
4.00 - 8"	39114008	39414008	58052326
4.0 - 10"	39114010	39414010	58052327
4.0 - 10"	39114010	39414010	58052289 (FIX) ★
5.0 - 10"	39115010	39415010	58052327
5.0 - 10"	39115010	39415010	58052289 (FIX) ★
6.5 / 8.0 - 12"	39116018	39416018	F0849044070
21 x 11.00 - 8"	39113501	TUBELESS	58052274
20 x 8.00 - 10"	39118021 (TR)	39416025	58052281
20 x 8.00 - 10"	39118020 (GA)	39415010	58052280 (S MUSTER)
16 x 6.50 - 8"	39111608	39411608	58052297 ★

92457794

KIT GEMELLAGGIO PER 4.0-10" / 5.0-10"
 TWINNING KIT FOR 4.0-10" / 5.0-10"
 JUMELAGE KIT POUR 4.0-10" / 5.0-10"
 KIT GEMELOS POR 4.0-10" / 5.0-10"
 ZWILLINGSKIT 4.0-10" / 5.0-10"



FERRARI

500 serie GRIFON

WHEELS
RUEDAS

RUOTE

ROUES
RÄDER

DALLA MACCHINA
DE LA MAQUINA
DE LA MACHINE
FROM THE MACHINE
AB DER MASCHINE

★ N.

AGGIORNAMENTO
REVISION
MISE A JOUR
APLAZAMIENTO
ANPASSUNG

L01

01/2008

Rev. 2

ZENNE

Pos.	Code	Q.ty	Description	Notes
31112149	31112149	1	SCREW TE M8X12 UNI 5739 8G	
31112151	31112151	1	SCREW TE M8X25 UNI 5739 8G	
31112219	31112219	1	SCREW TE M10X25 UNI 5739	
31211100	31211100	1	NUT M10	
31241080	31241080	1	SELFLOCK NUT M8	
31241100	31241100	1	SELFLOCK NUT M10 6S	
31241120	31241120	1	SELFLOCK NUT M12	
31241162	31241162	1	SELFLOCK NUT	
31312103	31312103	1	STUD BOLT M10X46X24X16	
31421101	31421101	1	WASHER	
31423084	31423084	1	SPRING WASHER 8,4	
31423105	31423105	1	SPRING WASHER 10,5	
31423130	31423130	1	SPRING WASHER 13	
39111608	39111608	1	TYRE 16X6.50-8 4PR	
39113501	39113501	1	TYRE 21X11.00-8	
39113502	39113502	1	TYRE 3.50-8 2PR	
39114008	39114008	1	TYRE 4.00-8 2PR	
39114010	39114010	1	TYRE 4.0-10 2PR	
39115010	39115010	1	TYRE 5.00-10 2PR	
39116018	39116018	1	TYRE 6.5/80-12 2PR	
39118020	39118020	1	TYRE 20X8.00-10 4PR	
39118021	39118021	1	COVER	
39411608	39411608	1	INNER TUBE	
39413502	39413502	1	INNER TUBE	
39414008	39414008	1	INNER TUBE	
39414010	39414010	1	INNER TUBE	
39415010	39415010	1	INNER TUBE	
39416018	39416018	1	INNER TUBE	
39416025	39416025	1	INNER TUBE	
53143712	53143712	1	SPACER	
56359553	56359553	1	PIN	
56359554	56359554	1	PIN	
56359593	56359593	1	DRIVING PIN	
58052274	58052274	1	RIM	

SERIAL

WHEELS

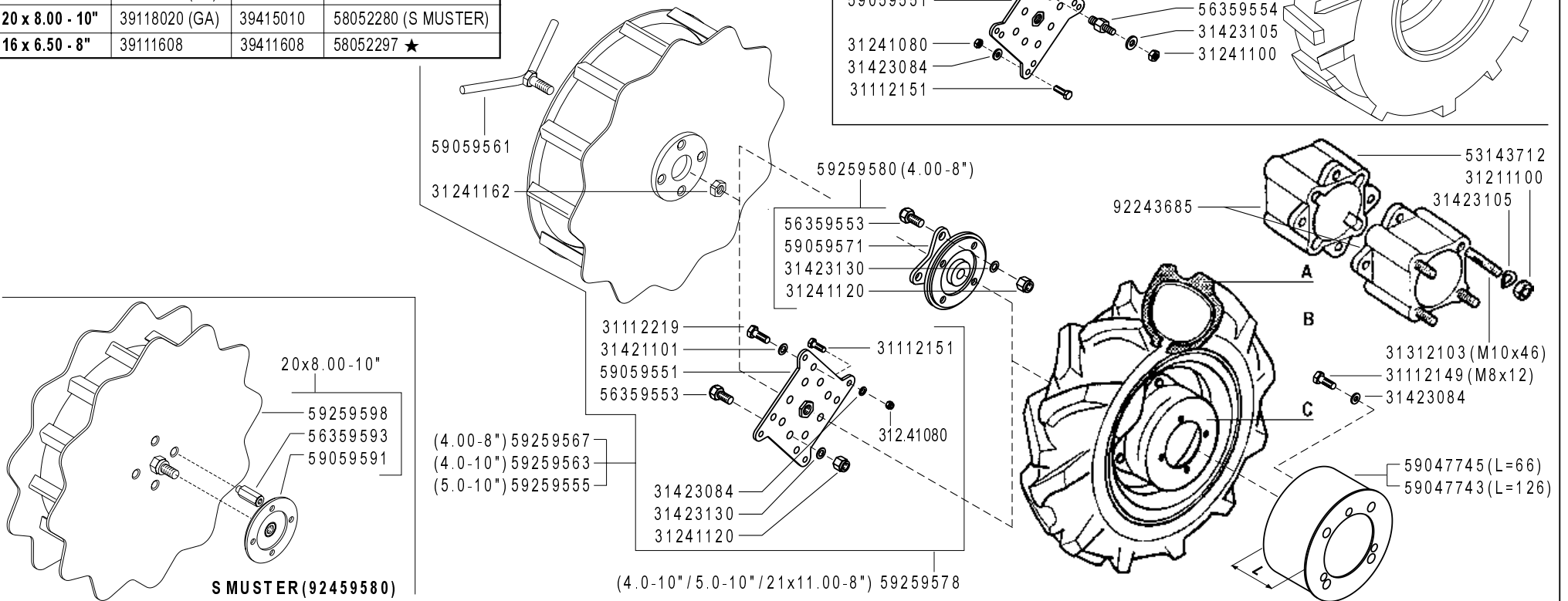
CODE REV

L01_2_60486

	A	B	C
3.50 - 8" (500)	39113502	39413502	58052325
3.50 - 8"	39113502	39413502	58052326
4.00 - 8"	39114008	39414008	58052326
4.0 - 10"	39114010	39414010	58052327
4.0 - 10"	39114010	39414010	58052289 (FIX) ★
5.0 - 10"	39115010	39415010	58052327
5.0 - 10"	39115010	39415010	58052289 (FIX) ★
6.5 / 8.0 - 12"	39116018	39416018	F0849044070
21 x 11.00 - 8"	39113501	TUBELESS	58052274
20 x 8.00 - 10"	39118021 (TR)	39416025	58052281
20 x 8.00 - 10"	39118020 (GA)	39415010	58052280 (S MUSTER)
16 x 6.50 - 8"	39111608	39411608	58052297 ★

92457794

KIT GEMELLAGGIO PER 4.0-10" / 5.0-10"
TWINNING KIT FOR 4.0-10" / 5.0-10"
JUMELAGE KIT POUR 4.0-10" / 5.0-10"
KIT GEMELOS POR 4.0-10" / 5.0-10"
ZWILLINGSKIT 4.0-10" / 5.0-10"



FERRARI

500 serie **GRIFON**

WHEELS
RUEDAS

RUOTE

ROUES
RÄDER

DALLA MACCHINA
DE LA MAQUINA
DE LA MACHINE
FROM THE MACHINE
AB DER MASCHINE

★ N.

AGGIORNAMENTO

REVISION

MISE A JOUR

APLAZAMIENTO

ANPASSUNG

L01

01/2008

Rev.
2

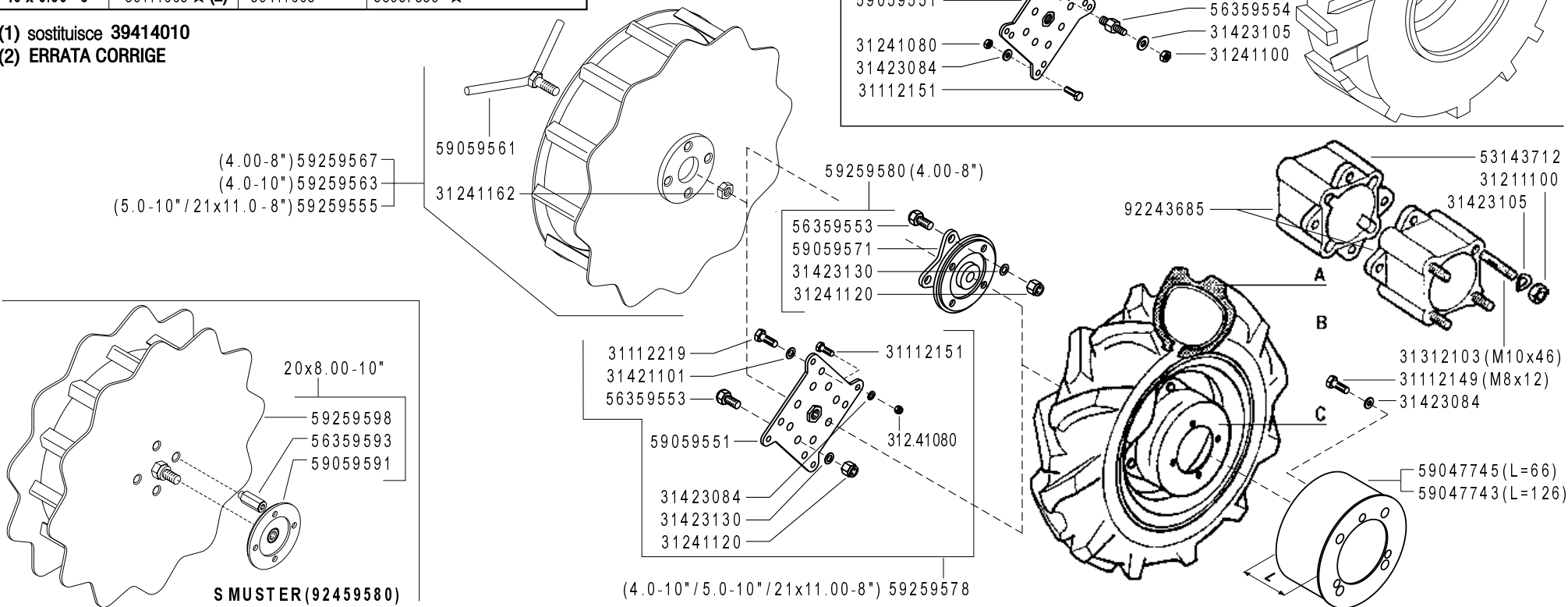
ZENNE

Pos.	Code	Q.ty	Description	Notes
58052280	58052280	1	RIM	
58052281	58052281	1	RIM	
58052289	58052289	1	RIM	
58052297	58052297	1	RIM	
58052325	58052325	1	RIM	
58052326	58052326	1	RIM	
58052327	58052327	1	RIM	
59047743	59047743	1	HUBCOVER	
59047745	59047745	1	HUBCOVER	
59059551	59059551	1	FLANGE	
59059561	59059561	1	SCREW	
59059571	59059571	1	FLANGE	
59059591	59059591	1	SPACER	
59259555	59259555	1	SUPER-BITE WHEEL X 5.00-10	
59259563	59259563	1	WHEEL	
59259567	59259567	1	WHEEL	
59259578	59259578	1	FLANGE KIT	
59259580	59259580	1	FLANGE KIT	
59259598	59259598	1	WHEEL	
92243685	92243685	1	PAIR WHEEL SPACERS 6 CM	
92457794	92457794	1	ADAPTOR PLATES 10 WHEELS (PAIR)	
92459580	92459580	1	COPPIA R.MARGHER.20X8.0-10 FER	
F0849044	F0849044070	1	WHEEL DISC	

	A	B	C
3.50 - 8" (500)	39113502	39413502	58043370 ★
3.50 - 8"	39113502	39413502	58043250 ★
4.00 - 8"	39114008	39414008	58043250 ★
4.0 - 10"	39114010	39415010 ★(1)	58048330 ★
5.0 - 10"	39115010	39415010	58048330 ★
6.5 / 80 - 12"	39116018	39416018	58044804 ★
21 x 11.00 - 8"	39113501	TUBELESS	58057795 ★
20 x 8.00 - 10"	39118021 (TR)	39416025	58057799 ★
20 x 8.00 - 10"	39118020 (GA)	39415010	58057797 ★ (S MUSTER)
16 x 6.50 - 8"	39111665 ★(2)	39411608	58057839 ★

(1) sostituisce 39414010
(2) ERRATA CORRIGE

92457794
KIT GEMELLAGGIO PER 4.0-10" / 5.0-10"
TWINNING KIT FOR 4.0-10" / 5.0-10"
JUMELAGE KIT POUR 4.0-10" / 5.0-10"
KIT GEMELOS POR 4.0-10" / 5.0-10"
ZWILLINGSKIT 4.0-10" / 5.0-10"



FERRARI

500 serie GRIFON

WHEELS
RUEDAS

RUOTE

ROUES
RÄDER

DALLA MACCHINA
DE LA MAQUINA
DE LA MACHINE
FROM THE MACHINE
AB DER MASCHINE

★ N.

AGGIORNAMENTO
REVISION
MISE A JOUR
APLAZAMIENTO
ANPASSUNG

L01

06/2010

Rev.
3

ZENNE

Pos.	Code	Q.ty	Description	Notes
31112151	31112151	1	SCREW TE M8X25 UNI 5739 8G	
31112219	31112219	1	SCREW TE M10X25 UNI 5739	
31211100	31211100	1	NUT M10	
31241080	31241080	1	SELFLOCK NUT M8	
31241100	31241100	1	SELFLOCK NUT M10 6S	
31241120	31241120	1	SELFLOCK NUT M12	
31241162	31241162	1	SELFLOCK NUT	
31312103	31312103	1	STUD BOLT M10X46X24X16	
31421101	31421101	1	WASHER	
31423084	31423084	1	SPRING WASHER 8,4	
31423105	31423105	1	SPRING WASHER 10,5	
31423130	31423130	1	SPRING WASHER 13	
39111608	39111608	1	TYRE 16X6.50-8 4PR	
39111665	39111665	1	TYRE 16X6.50-8 4PR	
39113501	39113501	1	TYRE 21X11.00-8	
39113502	39113502	1	TYRE 3.50-8 2PR	
39114008	39114008	1	TYRE 4.00-8 2PR	
39114010	39114010	1	TYRE 4.0-10 2PR	
39115010	39115010	1	TYRE 5.00-10 2PR	
39116018	39116018	1	TYRE 6.5/80-12 2PR	
39118020	39118020	1	TYRE 20X8.00-10 4PR	
39118021	39118021	1	COVER	
39411608	39411608	1	INNER TUBE	
39413502	39413502	1	INNER TUBE	
39414008	39414008	1	INNER TUBE	
39415010	39415010	1	INNER TUBE	
39416018	39416018	1	INNER TUBE	
39416025	39416025	1	INNER TUBE	
53143712	53143712	1	SPACER	
56359553	56359553	1	PIN	
56359554	56359554	1	PIN	
56359593	56359593	1	DRIVING PIN	
58043250	58043250	1	RIM	
58043370	58043370	1	RIM	

SERIAL

WHEELS

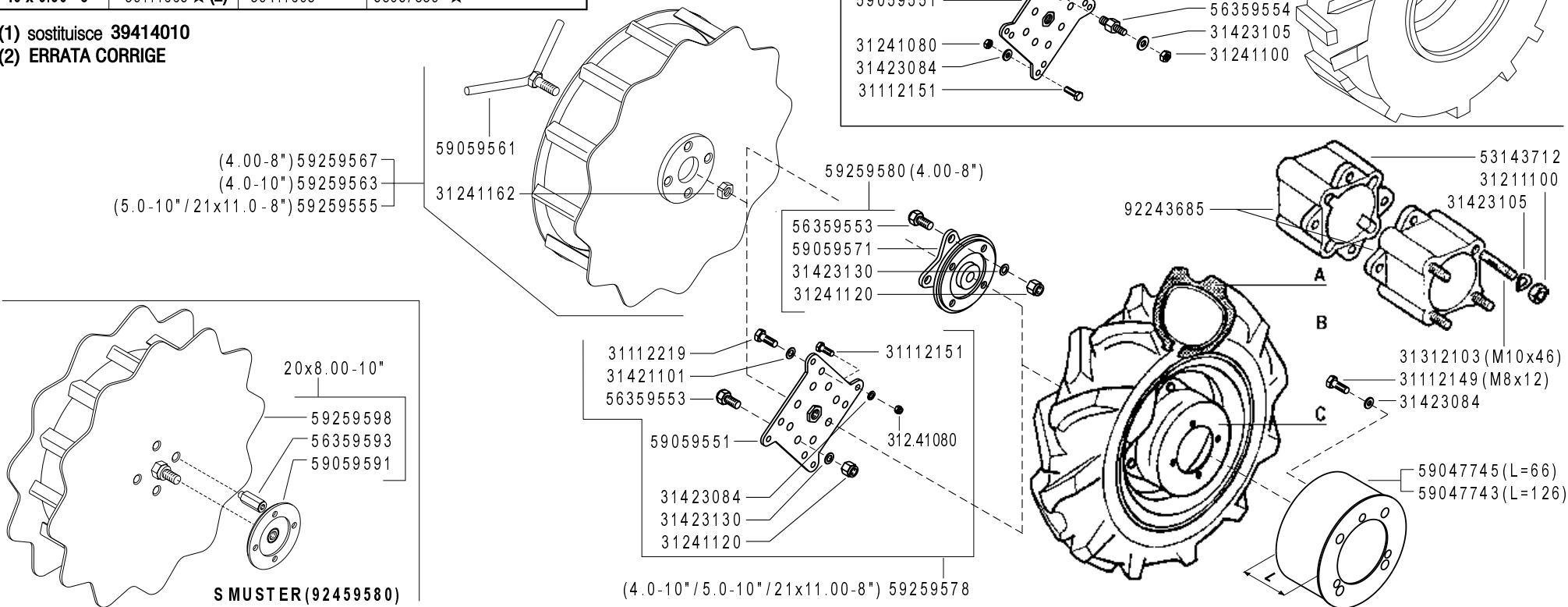
CODE REV

L01_3_90714

	A	B	C
3.50 - 8" (500)	39113502	39413502	58043370 ★
3.50 - 8"	39113502	39413502	58043250 ★
4.00 - 8"	39114008	39414008	58043250 ★
4.0 - 10"	39114010	39415010 ★(1)	58048330 ★
5.0 - 10"	39115010	39415010	58048330 ★
6.5 / 80 - 12"	39116018	39416018	58044804 ★
21 x 11.00 - 8"	39113501	TUBELESS	58057795 ★
20 x 8.00 - 10"	39118021 (TR)	39416025	58057799 ★
20 x 8.00 - 10"	39118020 (GA)	39415010	58057797 ★ (S MUSTER)
16 x 6.50 - 8"	39111665 ★(2)	39411608	58057839 ★

(1) sostituisce 39414010
(2) ERRATA CORRIGE

92457794
KIT GEMELLAGGIO PER 4.0-10" / 5.0-10"
TWINNING KIT FOR 4.0-10" / 5.0-10"
JUMELAGE KIT POUR 4.0-10" / 5.0-10"
KIT GEMELOS POR 4.0-10" / 5.0-10"
ZWILLINGSKIT 4.0-10" / 5.0-10"



FERRARI

500 serie GRIFON

WHEELS
RUEDAS

RUOTE

ROUES
RÄDER

DALLA MACCHINA
DE LA MAQUINA
DE LA MACHINE
FROM THE MACHINE
AB DER MASCHINE

★ N.

AGGIORNAMENTO
REVISION
MISE A JOUR
APLAZAMIENTO
ANPASSUNG

L01

06/2010

Rev.
3

ZENNE

Pos.	Code	Q.ty	Description	Notes
58044804	58044804	1	RIM	
58048330	58048330	1	RIM	
58057795	58057795	1	RIM	
58057797	58057797	1	RIM	
58057799	58057799	1	RIM	
58057839	58057839	1	RIM	
59047743	59047743	1	HUBCOVER	
59047745	59047745	1	HUBCOVER	
59059551	59059551	1	FLANGE	
59059561	59059561	1	SCREW	
59059571	59059571	1	FLANGE	
59059591	59059591	1	SPACER	
59259555	59259555	1	SUPER-BITE WHEEL X 5.00-10	
59259563	59259563	1	WHEEL	
59259567	59259567	1	WHEEL	
59259578	59259578	1	FLANGE KIT	
59259580	59259580	1	FLANGE KIT	
59259598	59259598	1	WHEEL	
92243685	92243685	1	PAIR WHEEL SPACERS 6 CM	
92457794	92457794	1	ADAPTOR PLATES 10 WHEELS (PAIR)	
92459580	92459580	1	COPPIA R.MARGHER.20X8.0-10 FER	

500 GRIFON

58052165 ★

FERRARI

58052029

S
MILSTER

58052160

515 GRIFON

58052157

520 GRIFON

58052162

515L GRIFON

58052158

530 GRIFON

58052163

515S GRIFON

58052159

530S GRIFON

58052164

FERRARI

500 serie GRIFON

ADESIVI

STICKERS
ADHESIVOS

AUTOCOLLANTS
AUFKLEBES

DALLA MACCHINA
DE LA MAQUINA
FROM THE MACHINE
AB DER MASCHINE

★ N.

AGGIORNAMENTO

REVISION

MISE A JOUR

APLAZAMIENTO

ANPASSUNG

M01

06/2006

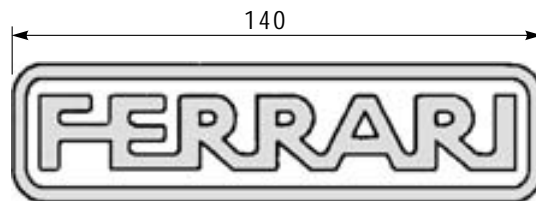
Rev.
1

ZENNE

Pos.	Code	Q.ty	Description	Notes
58052029	58052029	1	DECAL	
58052157	58052157	1	DECAL	
58052158	58052158	1	DECAL	
58052159	58052159	1	DECAL	
58052160	58052160	1	DECAL	
58052162	58052162	1	DECAL	
58052163	58052163	1	DECAL	
58052164	58052164	1	DECAL	
58052165	58052165	1	DECAL	

500 GRIFON

58052165



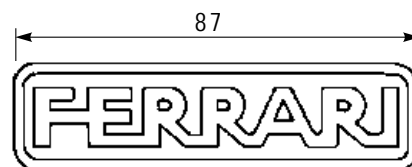
58052029



58052160

515 GRIFON

58052157



58052019 ★

515L GRIFON

58052158

520 GRIFON

58052162

515S GRIFON

58052159

530 GRIFON

58052163

515SL GRIFON

58052167 ★

530S GRIFON

58052164

FERRARI

500 serie GRIFON

ADESIVI

STICKERS
ADHESIVOS

AUTOCOLLANTS
AUFKLEBES

DALLA MACCHINA
DE LA MAQUINA
DE LA MACHINE
FROM THE MACHINE
AB DER MASCHINE

★ N.

AGGIORNAMENTO
REVISION
MISE A JOUR
APLAZAMIENTO
ANPASSUNG

M01

02/2009

Rev.
2

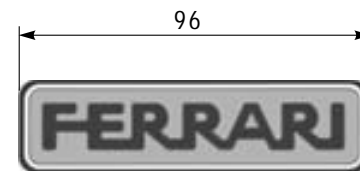
ZENNE

Pos.	Code	Q.ty	Description	Notes
58052019	58052019	1	DECAL	
58052029	58052029	1	DECAL	
58052157	58052157	1	DECAL	
58052158	58052158	1	DECAL	
58052159	58052159	1	DECAL	
58052160	58052160	1	DECAL	
58052162	58052162	1	DECAL	
58052163	58052163	1	DECAL	
58052164	58052164	1	DECAL	
58052165	58052165	1	DECAL	
58052167	58052167	1	DECAL	

500 GRIFON 58052165



53052176 ★



53052175 ★

515 GRIFON 58052183 ★

530 S

58052190 ★

515L GRIFON 58052184 ★

520 GRIFON 58052187 ★

515S GRIFON 58052185 ★

530 GRIFON 58052188 ★

515SL GRIFON 58052186 ★

530S GRIFON 58052189 ★

FERRARI

500 serie **GRIFON**

STICKERS
ADHESIVOS

ADESIVI

AUTOCOLLANTS
AUFKLEBES

DALLA MACCHINA
DE LA MAQUINA
DE LA MACHINE
FROM THE MACHINE
AB DER MASCHINE

★N.

AGGIORNAMENTO
REVISION
MISE A JOUR
APLAZAMIENTO
ANPASSUNG

M01

11/2010

Rev.
3

ZENNE

Pos.	Code	Q.ty	Description	Notes
53052175	53052175	1	MEDIUM FERRARI BRAND	
53052176	53052176	1	BIG FERRARI BRAND	
58052165	58052165	1	DECAL	
58052183	58052183	1	DECAL	
58052184	58052184	1	DECAL	
58052185	58052185	1	DECAL	
58052186	58052186	1	DECAL	
58052187	58052187	1	DECAL	
58052188	58052188	1	DECAL	
58052189	58052189	1	DECAL	
58052190	58052190	1	DECAL	



58057698



58057625



58057773



58057774



58057772



58057706



58057767



58057768



58057746



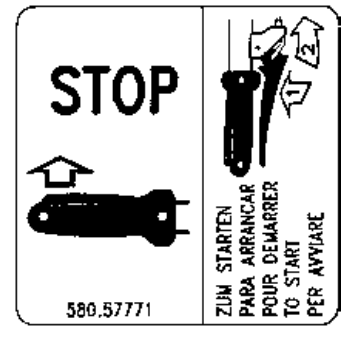
58057747



58057748



58046912



58057771



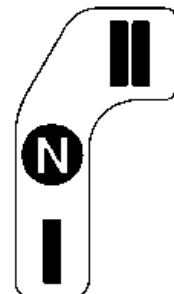
58057676



58057712



58057678 ★



58057732



58093089



58057770



58057722



58057724

FERRARI

500 serie GRIFON

ADESIVI

STICKERS
ADHESIVOS

AUTOCOLLANTS
AUFKLEBES

DALLA MACCHINA
DE LA MAQUINA
DE LA MACHINE
FROM THE MACHINE
AB DER MASCHINE

AGGIORNAMENTO

REVISION

MISE A JOUR

APLAZAMIENTO

ANPASSUNG

★ N.

M02

Rev.

1

06/2006

ZENNE

Pos.	Code	Q.ty	Description	Notes
58046912	58046912	1	DECAL	
58057625	58057625	1	DECAL	
58057676	58057676	1	DECAL	
58057678	58057678	1	DECAL	
58057698	58057698	1	DECAL	
58057706	58057706	1	DECAL	
58057712	58057712	1	DECAL	
58057722	58057722	1	DECAL	
58057724	58057724	1	DECAL	
58057732	58057732	1	DECAL	
58057746	58057746	1	DECAL	
58057747	58057747	1	DECAL	
58057748	58057748	1	DECAL	
58057767	58057767	1	DECAL	
58057768	58057768	1	DECAL	
58057770	58057770	1	DECAL	
58057771	58057771	1	DECAL	
58057772	58057772	1	DECAL	
58057773	58057773	1	DECAL	
58057774	58057774	1	DECAL	
58093089	58093089	1	DECAL	



58057698



58057625



58057773



58057774



58057772



58057746



58057747



58057748



58046912



58057676



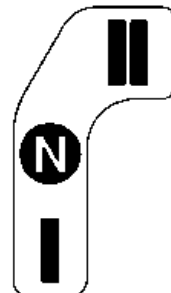
58057712



58057678



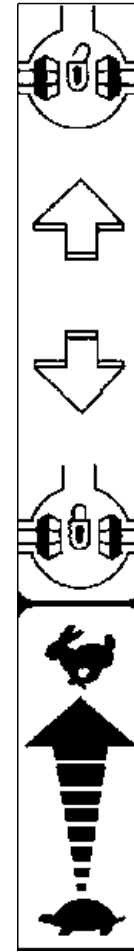
58057722



58057732



58093089



58057688★



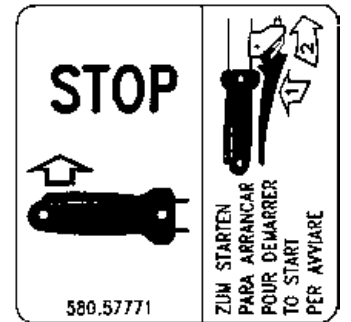
58057706



58057767



58057768



58057771



58057724



58057770

FERRARI

500 serie GRIFON

ADESIVI

STICKERS
ADHESIVOS

AUTOCOLLANTS
AUFKLEBES

DALLA MACCHINA
DE LA MAQUINA
DE LA MACHINE
FROM THE MACHINE
AB DER MASCHINE

AGGIORNAMENTO

REVISION

MISE A JOUR

APLAZAMIENTO

ANPASSUNG

★ N.

M02

Rev.
2

02/2009

ZENNE

Pos.	Code	Q.ty	Description	Notes
58046912	58046912	1	DECAL	
58057625	58057625	1	DECAL	
58057676	58057676	1	DECAL	
58057678	58057678	1	DECAL	
58057688	58057688	1	DECAL	
58057698	58057698	1	DECAL	
58057706	58057706	1	DECAL	
58057712	58057712	1	DECAL	
58057722	58057722	1	DECAL	
58057724	58057724	1	DECAL	
58057732	58057732	1	DECAL	
58057746	58057746	1	DECAL	
58057747	58057747	1	DECAL	
58057748	58057748	1	DECAL	
58057767	58057767	1	DECAL	
58057768	58057768	1	DECAL	
58057770	58057770	1	DECAL	
58057771	58057771	1	DECAL	
58057772	58057772	1	DECAL	
58057773	58057773	1	DECAL	
58057774	58057774	1	DECAL	
58093089	58093089	1	DECAL	



58057458



58056864



58056867



58056868



58057746



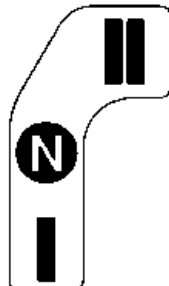
58057625



58093089



58057747



58057732



58057676



58057748



58057773

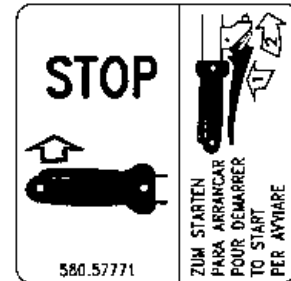


58057774

ZUM STARTEN
 -KUPPLUNGHEBEL ANHAKEN. (SIEHE) AUFKLEBER AUF DEM LENKHOLM).
 -GASHEBEL ZUR MITTE EINSTELLEN.
 -BENZINHAHN OFFNEN (WENN VORHANDEN).
 -CHOKE SCHLIESSEN (BEI KALTEM MOTOR).
DEN FUSS IN DIE RICHTIGE STELLUNG SETZEN.

ZUM STARTEN
 -DEN SEIL AUF DIE STARTSCHEIBE AUFWICKELN (WENN KEIN REVERSIER STARTER VORHANDEN IST).
 -DER STARTERGRIF IN ENTSCHLOSSENER WEISE ZIEHEN, BEI DEM ELEKTROSTARTER SCHLUSSEL DREHEN.
 -CHOKE DEFNEN.

58046932 (REF.)



58057771



58057772



58057767



58057768



58057678

58057770
 KUPPLUNG
 EMBRAYAGE
 CLUTCH
 FRIZIONE

58057770



58057722



58057724

FERRARI

500 serie **GRIFON**

STICKERS
 ADHESIVOS

ADESIVI

AUTOCOLLANTS
 AUFKLEBES

DALLA MACCHINA
 DE LA MAQUINA
 DE LA MACHINE
 FROM THE MACHINE
 AB DER MASCHINE

★ N.

867450 (520-530-S)

863996 (515L-S-SL)

864056 (515)

M02

Rev.
3

11/2010

ZENNE

Pos.	Code	Q.ty	Description	Notes
58046932	58046932	1	DECAL	
58056864	58056864	1	DECAL	
58056867	58056867	1	DECAL	
58056868	58056868	1	DECAL	
58057458	58057458	1	DECAL	
58057625	58057625	1	DECAL	
58057676	58057676	1	DECAL	
58057678	58057678	1	DECAL	
58057722	58057722	1	DECAL	
58057724	58057724	1	DECAL	
58057732	58057732	1	DECAL	
58057746	58057746	1	DECAL	
58057747	58057747	1	DECAL	
58057748	58057748	1	DECAL	
58057767	58057767	1	DECAL	
58057768	58057768	1	DECAL	
58057770	58057770	1	DECAL	
58057771	58057771	1	DECAL	
58057772	58057772	1	DECAL	
58057773	58057773	1	DECAL	
58057774	58057774	1	DECAL	
58093089	58093089	1	DECAL	

SPARE PARTS INSTANCE INDEX





SPARE PARTS INSTANCE INDEX

Code	Parts Table	Pos.	Q.ty	Code	Parts Table	Pos.	Q.ty	Code	Parts Table	Pos.	Q.ty
0	C01_2_67668	0	1	31112211	F.03.02.A0011_03	24		31241080	D01_3_59819	31241080	1
30010120	H03_0_34151	30010120	1		F03_1_34091	31112211	1		D01_4_72864	31241080	1
30040001	E.02.02.A0011_02	14	1		F03_2_90637	31112211	1		E02_1_34064	31241080	1
	E02_1_34064	30040001	1		H03_0_34151	31112211	1		H03_0_34151	31241080	1
31100003	D01_2_33546	31100003	1	31112213	C.01.02.A0011_03	5	1		J.02.02.A0011_02	9	1
	D01_3_59819	31100003	1		C01_1_34043	31112213	1		L01_1_27708	31241080	0
	D01_4_72864	31100003	1		C01_2_67668	31112213	1		L01_2_60486	31241080	1
31100015	D01_2_33546	31100015	1	31112219	L01_1_27708	31112219	0		L01_3_90714	31241080	1
	D01_3_59819	31100015	1		L01_2_60486	31112219	1	31241084	E.02.02.A0011_02	5	1
	D01_4_72864	31100015	1		L01_3_90714	31112219	1		J.02.02.A0011_02	5	1
31100451	J.02.02.A0011_02	15	1	31112295	H03_0_34151	31112295	1	31241085	E02_1_34064	31241085	1
	J02_1_34222	31100451	1	31121007	C.01.02.A0011_03	15	1		J02_1_34222	31241085	1
31111086	I05_0_34171	31111086	1		C01_1_34043	31121007	1	31241100	C.01.02.A0011_03	7	1
31111090	E02_1_34064	31111090	1		C01_2_67668	31121007	1		C01_1_34043	31241100	1
31111097	I05_0_34171	31111097	1	31152084	I05_0_34171	31152084	1		C01_2_67668	31241100	1
31111151	C01_1_34043	31111151	1	31211040	I05_0_34171	31211040	1		H03_0_34151	31241100	1
31111229	H03_0_34151	31111229	1	31211080	D01_2_33546	31211080	1		L01_1_27708	31241100	0
31112083	E.02.02.A0011_02	1	1		D01_3_59819	31211080	1		L01_2_60486	31241100	1
31112085	C.01.02.A0011_03	4	1		D01_4_72864	31211080	1		L01_3_90714	31241100	1
31112089	I05_0_34171	31112089	1		I05_0_34171	31211080	1	31241120	G01_1_34130	31241120	1
31112092	I05_0_34171	31112092	1	31211100	G01_1_34130	31211100	1		L01_1_27708	31241120	0
31112093	C01_2_67668	31112093	1		L01_1_27708	31211100	0		L01_2_60486	31241120	1
31112147	G01_1_34130	31112147	1		L01_2_60486	31211100	1		L01_3_90714	31241120	1
31112149	L01_1_27708	31112149	0		L01_3_90714	31211100	1	31241121	H03_0_34151	31241121	1
	L01_2_60486	31112149	1	31221121	E.02.02.A0011_02	8	1	31241162	L01_1_27708	31241162	0
31112151	E02_1_34064	31112151	1		E02_1_34064	31221121	1		L01_2_60486	31241162	1
	L01_1_27708	31112151	0	31241060	C01_2_67668	31241060	1		L01_3_90714	31241162	1
	L01_2_60486	31112151	1		I05_0_34171	31241060	1	31312082	E.02.02.A0011_02	13	1
	L01_3_90714	31112151	1	31241061	I05_0_34171	31241061	1		E02_1_34064	31312082	1
31112153	H03_0_34151	31112153	1	31241065	C.01.02.A0011_03	3	1		J02_1_34222	31312082	1
31112154	C.01.02.A0011_03	5	1	31241080	C.01.02.A0011_03	7	1	31312083	D01_2_33546	31312083	1
	C01_1_34043	31112154	1		C01_1_34043	31241080	1		D01_3_59819	31312083	1
	C01_2_67668	31112154	1		C01_2_67668	31241080	1		D01_4_72864	31312083	1
31112166	E.02.02.A0011_02	19	1		D01_2_33546	31241080	1	31312084	E.02.02.A0011_02	12	1



SPARE PARTS INSTANCE INDEX

Code	Parts Table	Pos.	Q.ty	Code	Parts Table	Pos.	Q.ty	Code	Parts Table	Pos.	Q.ty
31312084	E02_1_34064	31312084	1	31421101	L01_1_27708	31421101	0	34211029	J02_1_34222	34211029	1
31312088	D01_2_33546	31312088	1		L01_2_60486	31421101	1	34211042	F.03.02.A0011_03	17	
	D01_3_59819	31312088	1		L01_3_90714	31421101	1		F03_1_34091	34211042	1
	D01_4_72864	31312088	1	31421130	G01_1_34130	31421130	1		F03_2_90637	34211042	1
31312094	E.02.02.A0011_02	3	1	31421132	E.02.02.A0011_02	7	1	34213020	I05_0_34171	34213020	1
	E02_1_34064	31312094	1		E02_1_34064	31421132	1		J.02.02.A0011_02	23	1
31312102	G01_1_34130	31312102	1	31422064	E02_1_34064	31422064	1		J02_1_34222	34213020	1
31312103	L01_1_27708	31312103	0	31423043	I05_0_34171	31423043	1	34213060	F.03.02.A0011_03	19	
	L01_2_60486	31312103	1	31423084	C01_1_34043	31423084	1		F03_1_34091	34213060	1
	L01_3_90714	31312103	1		D01_2_33546	31423084	1		F03_2_90637	34213060	1
31312124	E.02.02.A0011_02	6	1		D01_3_59819	31423084	1	34213061	F.03.02.A0011_03	21	
	E02_1_34064	31312124	1		D01_4_72864	31423084	1		F03_1_34091	34213061	1
31312125	E.02.02.A0011_02	6	1		E02_1_34064	31423084	1		F03_2_90637	34213061	1
	E02_1_34064	31312125	1		H03_0_34151	31423084	1	34311060	G01_1_34130	34311060	1
31411043	I05_0_34171	31411043	1		I05_0_34171	31423084	1	35111052	G01_1_34130	35111052	1
31411064	C01_2_67668	31411064	1		L01_1_27708	31423084	0	35111053	F.03.02.A0011_03	29	
	I05_0_34171	31411064	1		L01_2_60486	31423084	1		F03_1_34091	35111053	1
31411084	C.01.02.A0011_03	6	1		L01_3_90714	31423084	1		F03_2_90637	35111053	1
	C01_1_34043	31411084	1	31423105	D01_2_33546	31423105	1	35111055	F.03.02.A0011_03	8	
	C01_2_67668	31411084	1		D01_3_59819	31423105	1		F03_1_34091	35111055	1
	I05_0_34171	31411084	1		D01_4_72864	31423105	1		F03_2_90637	35111055	1
31411104	C.01.02.A0011_03	6	1		G01_1_34130	31423105	1	35121031	F.03.02.A0011_03	6	
	C01_1_34043	31411104	1		L01_1_27708	31423105	0		F03_1_34091	35121031	1
	C01_2_67668	31411104	1		L01_2_60486	31423105	1		F03_2_90637	35121031	1
	J.02.02.A0011_02	3	1		L01_3_90714	31423105	1	35211120	F.03.02.A0011_03	34	
	J02_1_34222	31411104	1	31423130	H03_0_34151	31423130	1		F03_1_34091	35211120	1
31421083	C.01.02.A0011_03	14	1		L01_1_27708	31423130	0		F03_2_90637	35211120	1
	C01_1_34043	31421083	1		L01_2_60486	31423130	1	37111150	F.03.02.A0011_03	1	
	C01_2_67668	31421083	1		L01_3_90714	31423130	1		F03_1_34091	37111150	1
	E02_1_34064	31421083	1	31424084	G01_1_34130	31424084	1		F03_2_90637	37111150	1
	J02_1_34222	31421083	1	34110020	I05_0_34171	34110020	1	37111152	F.03.02.A0011_03	33	
31421101	F.03.02.A0011_03	25		34110028	J.02.02.A0011_02	2	1		F03_1_34091	37111152	1
	F03_1_34091	31421101	1		J02_1_34222	34110028	1		F03_2_90637	37111152	1
	F03_2_90637	31421101	1	34211029	J.02.02.A0011_02	20	1	37111250	F.03.02.A0011_03	23	



SPARE PARTS INSTANCE INDEX

Code	Parts Table	Pos.	Q.ty	Code	Parts Table	Pos.	Q.ty	Code	Parts Table	Pos.	Q.ty
37111250	F03_1_34091	37111250	1	39114008	L01_1_27708	39114008	0	39416025	L01_1_27708	39416025	0
	F03_2_90637	37111250	1		L01_2_60486	39114008	1		L01_2_60486	39416025	1
	G01_1_34130	37111250	1		L01_3_90714	39114008	1		L01_3_90714	39416025	1
37112173	D01_2_33546	37112173	1	39114010	L01_1_27708	39114010	0	50956262	D01_2_33546	50956262	1
	D01_3_59819	37112173	1		L01_2_60486	39114010	1		D01_3_59819	50956262	1
	D01_4_72864	37112173	1		L01_3_90714	39114010	1		D01_4_72864	50956262	1
37112229	F.03.02.A0011_03	7		39115010	L01_1_27708	39115010	0	52357250	J.02.02.A0011_02	22	1
	F03_1_34091	37112229	1		L01_2_60486	39115010	1		J02_1_34222	52357250	1
	F03_2_90637	37112229	1		L01_3_90714	39115010	1	52447896	D01_2_33546	52447896	1
37141250	F.03.02.A0011_03	23		39116018	L01_1_27708	39116018	0		D01_3_59819	52447896	1
37320120	F.03.02.A0011_03	14			L01_2_60486	39116018	1		D01_4_72864	52447896	1
	F03_1_34091	37320120	1		L01_3_90714	39116018	1	52456336	F.03.02.A0011_03	10	
	F03_2_90637	37320120	1	39118020	L01_1_27708	39118020	0		F03_1_34091	52456336	1
37910832	F.03.02.A0011_03	12			L01_2_60486	39118020	1		F03_2_90637	52456336	1
	F03_1_34091	37910832	1		L01_3_90714	39118020	1	52456340	F.03.02.A0011_03	32	
	F03_2_90637	37910832	1	39118021	L01_1_27708	39118021	0		F03_1_34091	52456340	1
37911532	J02_1_34222	37911532	1		L01_2_60486	39118021	1		F03_2_90637	52456340	1
38211400	J.02.02.A0011_02	14	1		L01_3_90714	39118021	1	52456349	F.03.02.A0011_03	26	
	J02_1_34222	38211400	1	39411608	L01_2_60486	39411608	1		F03_1_34091	52456349	1
38211500	E.02.02.A0011_02	15	1		L01_3_90714	39411608	1		F03_2_90637	52456349	1
	E02_1_34064	38211500	1	39413502	L01_1_27708	39413502	0	52456354	F.03.02.A0011_03	30	
					L01_2_60486	39413502	1		F03_1_34091	52456354	1
38212501	G01_1_34130	38212501	1		L01_3_90714	39413502	1		F03_2_90637	52456354	1
38213800	F.03.02.A0011_03	9		39414008	L01_1_27708	39414008	0	52456360	F.03.02.A0011_03	31	
	F03_1_34091	38213800	1		L01_2_60486	39414008	1		F03_1_34091	52456360	1
	F03_2_90637	38213800	1		L01_3_90714	39414008	1		F03_2_90637	52456360	1
39111608	L01_2_60486	39111608	1	39414010	L01_1_27708	39414010	0	52456362	F03_1_34091	52456362	1
	L01_3_90714	39111608	1		L01_2_60486	39414010	1		F03_2_90637	52456362	1
39111665	L01_3_90714	39111665	1		L01_3_90714	39414010	1	52456370	F.03.02.A0011_03	3	
39113501	L01_1_27708	39113501	0	39415010	L01_1_27708	39415010	0		F03_1_34091	52456370	1
	L01_2_60486	39113501	1		L01_2_60486	39415010	1		F03_2_90637	52456370	1
	L01_3_90714	39113501	1		L01_3_90714	39415010	1	52456389	F.03.02.A0011_03	20	
39113502	L01_1_27708	39113502	0	39416018	L01_1_27708	39416018	0		F03_1_34091	52456389	1
	L01_2_60486	39113502	1		L01_2_60486	39416018	1		F03_2_90637	52456389	1
	L01_3_90714	39113502	1		L01_3_90714	39416018	1				



SPARE PARTS INSTANCE INDEX

Code	Parts Table	Pos.	Q.ty	Code	Parts Table	Pos.	Q.ty	Code	Parts Table	Pos.	Q.ty
52456390	F.03.02.A0011_03	22		55147842	D01_3_59819	55147842	1	56148285	I05_0_34171	56148285	1
	F03_1_34091	52456390	1		D01_4_72864	55147842	1	56148287	I05_0_34171	56148287	1
	F03_2_90637	52456390	1	55157212	J.02.02.A0011_02	17	1	56149655	J.02.02.A0011_02	25	1
52456706	F.03.02.A0011_03	5			J02_1_34222	55157212	1		J02_1_34222	56149655	1
	F03_2_90637	52456706	1	55157213	J.02.02.A0011_02	16	1	56150361	I05_0_34171	56150361	1
53052175	M01_3_91676	53052175	1		J02_1_34222	55157213	1	56152241	C01_1_34043	56152241	1
53052176	M01_3_91676	53052176	1	55157609	D01_2_33546	55157609	1	56152403	E02_1_34064	56152403	1
53143712	L01_1_27708	53143712	0		D01_3_59819	55157609	1	56156119	C01_1_34043	56156119	1
	L01_2_60486	53143712	1		D01_4_72864	55157609	1	56156119N	C.01.02.A0011_03	13	1
	L01_3_90714	53143712	1	55220363	H03_0_34151	55220363	1		C01_2_67668	56156119	1
53143875	E.02.02.A0011_02	18	1	55242528	J.02.02.A0011_02	4	1	56156276	D01_2_33546	56156276	1
53143879	E.02.02.A0011_02	18	1		J02_1_34222	55242528	1		D01_3_59819	56156276	1
53152401	E02_1_34064	53152401	1	55243340	H03_0_34151	55243340	1		D01_4_72864	56156276	1
53152402	E02_1_34064	53152402	1	55243592	G01_1_34130	55243592	1	56156281	D01_2_33546	56156281	1
53152411	E02_1_34064	53152411	1	55248038	I05_0_34171	55248038	1		D01_3_59819	56156281	1
53152412	E02_1_34064	53152412	1	55248041	I05_0_34171	55248041	1		D01_4_72864	56156281	1
53156150	D01_2_33546	53156150	1	55248283	I05_0_34171	55248283	1	56156284	D01_2_33546	56156284	1
	D01_3_59819	53156150	1	55252405	C.01.02.A0011_03	2	1		D01_3_59819	56156284	1
	D01_4_72864	53156150	1		C01_1_34043	55252405	1		D01_4_72864	56156284	1
53156326	E.02.02.A0011_02	16	1		C01_2_67668	55252405	1	56156285	D01_2_33546	56156285	1
53156327	E.02.02.A0011_02	16	1	55252406	C.01.02.A0011_03	1	1		D01_3_59819	56156285	1
	E02_1_34064	53156327	1		C01_1_34043	55252406	1		D01_4_72864	56156285	1
53156332V	E.02.02.A0011_02	4	1		C01_2_67668	55252406	1	56156487	G01_1_34130	56156487	1
53247488	D01_2_33546	53247488	1	56120364	H03_0_34151	56120364	1	56156488	G01_1_34130	56156488	1
	D01_3_59819	53247488	1	56142314	G01_1_34130	56142314	1	56156940	H03_0_34151	56156940	1
	D01_4_72864	53247488	1	56143059	G01_1_34130	56143059	1	56156948	H03_0_34151	56156948	1
54143090	G01_1_34130	54143090	1	56147520Z	E.02.02.A0011_02	2	1	56156990V	C.01.02.A0011_03	16	1
54143149	G01_1_34130	54143149	1	56147655	I05_0_34171	56147655	1		C01_2_67668	56156990	1
55102678	E.02.02.A0011_02	10	1	56147711	I05_0_34171	56147711	1	56157235	J02_1_34222	56157235	1
	E02_1_34064	55102678	1	56147845	D01_2_33546	56147845	1	56157244	J02_1_34222	56157244	1
55102714	H03_0_34151	55102714	1		D01_3_59819	56147845	1	56157246	J.02.02.A0011_02	19	1
55142076	J.02.02.A0011_02	26	1		D01_4_72864	56147845	1		J02_1_34222	56157246	1
	J02_1_34222	55142076	1	56147923	E.02.02.A0011_02	20	1	56157256	J.02.02.A0011_02	24	1
55147842	D01_2_33546	55147842	1	56148037	I05_0_34171	56148037	1		J02_1_34222	56157256	1



SPARE PARTS INSTANCE INDEX

Code	Parts Table	Pos.	Q.ty	Code	Parts Table	Pos.	Q.ty	Code	Parts Table	Pos.	Q.ty
56157271N	J.02.02.A0011_02	1	1	56359593	L01_1_27708	56359593	0	58046912	M02_1_34264	58046912	1
56157332	I05_0_34171	56157332	1		L01_2_60486	56359593	1		M02_2_67938	58046912	1
56157353	J02_1_34222	56157353	1		L01_3_90714	56359593	1	58046932	M02_3_91699	58046932	1
56157367	J.02.02.A0011_02	25	1	56456347	F.03.02.A0011_03	15		58047712	I05_0_34171	58047712	1
	J02_1_34222	56157367	1		F03_1_34091	56456347	1	58048000	I05_0_34171	58048000	1
56157393N	C.01.02.A0011_03	10	1		F03_2_90637	56456347	1	58048005	I05_0_34171	58048005	1
	C01_2_67668	56157393	1	56456351	F03_1_34091	56456351	1	58048009	I05_0_34171	58048009	1
56157399N	C.01.02.A0011_03	11	1		F03_2_90637	56456351	1	58048035	C.01.02.A0011_03	9	1
	C01_2_67668	56157399	1	56456477	F.03.02.A0011_03	27			C01_2_67668	58048035	1
56157424H	J.02.02.A0011_02	6	1		F03_1_34091	56456477	1	58048330	L01_3_90714	58048330	1
56157429N	J.02.02.A0011_02	8	1		F03_2_90637	56456477	1	58051670	I05_0_34171	58051670	1
56157432H	J.02.02.A0011_02	6	1	56456478	F.03.02.A0011_03	27		58052019	M01_2_67927	58052019	1
56343058	G01_1_34130	56343058	1		F03_1_34091	56456478	1	58052029	M01_1_34253	58052029	1
56356328	F.03.02.A0011_03	28			F03_2_90637	56456478	1		M01_2_67927	58052029	1
	F03_1_34091	56356328	1	56456736	F.03.02.A0011_03	13		58052157	M01_1_34253	58052157	1
	F03_2_90637	56356328	1	58002429	I05_0_34171	58002429	1		M01_2_67927	58052157	1
56356329	F.03.02.A0011_03	28		58002538	I05_0_34171	58002538	1	58052158	M01_1_34253	58052158	1
	F03_1_34091	56356329	1	58026222	I05_0_34171	58026222	1		M01_2_67927	58052158	1
	F03_2_90637	56356329	1	58042167	I05_0_34171	58042167	1	58052159	M01_1_34253	58052159	1
56356330	F.03.02.A0011_03	28		58042202	I05_0_34171	58042202	1		M01_2_67927	58052159	1
	F03_1_34091	56356330	1	58043053	E.02.02.A0011_02	11	1	58052160	M01_1_34253	58052160	1
	F03_2_90637	56356330	1		E02_1_34064	58043053	1		M01_2_67927	58052160	1
56356331	F.03.02.A0011_03	28		58043086	F.03.02.A0011_03	18		58052162	M01_1_34253	58052162	1
	F03_1_34091	56356331	1		F03_1_34091	58043086	1		M01_2_67927	58052162	1
	F03_2_90637	56356331	1		F03_2_90637	58043086	1	58052163	M01_1_34253	58052163	1
56356348	F.03.02.A0011_03	16		58043117	E.02.02.A0011_02	17	1		M01_2_67927	58052163	1
	F03_1_34091	56356348	1		E02_1_34064	58043117	1	58052164	M01_1_34253	58052164	1
	F03_2_90637	56356348	1	58043176	J.02.02.A0011_02	12	1		M01_2_67927	58052164	1
56359553	L01_1_27708	56359553	0		J02_1_34222	58043176	1	58052165	M01_1_34253	58052165	1
	L01_2_60486	56359553	1	58043219	I05_0_34171	58043219	1		M01_2_67927	58052165	1
	L01_3_90714	56359553	1	58043223	I05_0_34171	58043223	1		M01_3_91676	58052165	1
56359554	L01_1_27708	56359554	0	58043250	L01_3_90714	58043250	1	58052167	M01_2_67927	58052167	1
	L01_2_60486	56359554	1	58043370	L01_3_90714	58043370	1	58052183	M01_3_91676	58052183	1
	L01_3_90714	56359554	1	58044804	L01_3_90714	58044804	1	58052184	M01_3_91676	58052184	1



SPARE PARTS INSTANCE INDEX

Code	Parts Table	Pos.	Q.ty	Code	Parts Table	Pos.	Q.ty	Code	Parts Table	Pos.	Q.ty
58052185	M01_3_91676	58052185	1	58057289	I05_0_34171	58057289	1	58057746	M02_2_67938	58057746	1
58052186	M01_3_91676	58052186	1	58057302	I05_0_34171	58057302	1		M02_3_91699	58057746	1
58052187	M01_3_91676	58052187	1	58057334	I05_0_34171	58057334	1	58057747	M02_1_34264	58057747	1
58052188	M01_3_91676	58052188	1	58057385	C.01.02.A0011_03	8	1		M02_2_67938	58057747	1
58052189	M01_3_91676	58052189	1		C01_1_34043	58057385	1		M02_3_91699	58057747	1
58052190	M01_3_91676	58052190	1		C01_2_67668	58057385	1	58057748	M02_1_34264	58057748	1
58052274	L01_1_27708	58052274	0	58057402	I05_0_34171	58057402	1		M02_2_67938	58057748	1
	L01_2_60486	58052274	1	58057458	M02_3_91699	58057458	1		M02_3_91699	58057748	1
58052280	L01_1_27708	58052280	1	58057625	M02_1_34264	58057625	1	58057767	M02_1_34264	58057767	1
	L01_2_60486	58052280	1		M02_2_67938	58057625	1		M02_2_67938	58057767	1
58052281	L01_1_27708	58052281	0		M02_3_91699	58057625	1		M02_3_91699	58057767	1
	L01_2_60486	58052281	1	58057676	M02_1_34264	58057676	1	58057768	M02_1_34264	58057768	1
58052289	L01_2_60486	58052289	1		M02_2_67938	58057676	1		M02_2_67938	58057768	1
58052297	L01_2_60486	58052297	1		M02_3_91699	58057676	1		M02_3_91699	58057768	1
58052325	L01_1_27708	58052325	0	58057678	M02_1_34264	58057678	1	58057770	M02_1_34264	58057770	1
	L01_2_60486	58052325	1		M02_2_67938	58057678	1		M02_2_67938	58057770	1
58052326	L01_1_27708	58052326	0		M02_3_91699	58057678	1		M02_3_91699	58057770	1
	L01_2_60486	58052326	1	58057688	M02_2_67938	58057688	1	58057771	M02_1_34264	58057771	1
58052327	L01_1_27708	58052327	0	58057698	M02_1_34264	58057698	1		M02_2_67938	58057771	1
	L01_2_60486	58052327	1		M02_2_67938	58057698	1		M02_3_91699	58057771	1
58056155	I05_0_34171	58056155	1	58057706	M02_1_34264	58057706	1	58057772	M02_1_34264	58057772	1
58056391	F.03.02.A0011_03	11			M02_2_67938	58057706	1		M02_2_67938	58057772	1
	F03_1_34091	58056391	1	58057712	M02_1_34264	58057712	1		M02_3_91699	58057772	1
	F03_2_90637	58056391	1		M02_2_67938	58057712	1	58057773	M02_1_34264	58057773	1
58056593	I05_0_34171	58056593	1	58057722	M02_1_34264	58057722	1		M02_2_67938	58057773	1
58056864	M02_3_91699	58056864	1		M02_2_67938	58057722	1		M02_3_91699	58057773	1
58056867	M02_3_91699	58056867	1		M02_3_91699	58057722	1	58057774	M02_1_34264	58057774	1
58056868	M02_3_91699	58056868	1	58057724	M02_1_34264	58057724	1		M02_2_67938	58057774	1
58056942	H03_0_34151	58056942	1		M02_2_67938	58057724	1		M02_3_91699	58057774	1
58056991	C.01.02.A0011_03	12	1		M02_3_91699	58057724	1	58057795	L01_3_90714	58057795	1
	C01_2_67668	58056991	1	58057732	M02_1_34264	58057732	1	58057797	L01_3_90714	58057797	1
58057232Z	J.02.02.A0011_02	10	1		M02_2_67938	58057732	1	58057799	L01_3_90714	58057799	1
58057247	J.02.02.A0011_02	21	1		M02_3_91699	58057732	1	58057839	L01_3_90714	58057839	1
	J02_1_34222	58057247	1	58057746	M02_1_34264	58057746	1	58093089	M02_1_34264	58093089	1



SPARE PARTS INSTANCE INDEX

Code	Parts Table	Pos.	Q.ty	Code	Parts Table	Pos.	Q.ty	Code	Parts Table	Pos.	Q.ty
58093089	M02_2_67938	58093089	1	59056707	F03_2_90637	59056707	1	59247971	D01_3_59819	59247971	1
	M02_3_91699	58093089	1	59056935	H03_0_34151	59056935	1		D01_4_72864	59247971	1
58147704	I05_0_34171	58147704	1	59056975	J.02.02.A0011_02	7	1	59256255	D01_2_33546	59256255	1
58150313	I05_0_34171	58150313	1		J02_1_34222	59056975	1	59256275	D01_2_33546	59256275	1
58156156	I05_0_34171	58156156	1	59056980	H03_0_34151	59056980	1		D01_3_59819	59256275	1
58157346	I05_0_34171	58157346	1	59056989	J.02.02.A0011_02	7	1		D01_4_72864	59256275	1
59015425	E.02.02.A0011_02	9	1		J02_1_34222	59056989	1	59256279	D01_2_33546	59256279	1
	E.02.02.A0011_02	21	1	59057240	J.02.02.A0011_02	18	1		D01_3_59819	59256279	1
	E02_1_34064	59015425	1		J02_1_34222	59057240	1		D01_4_72864	59256279	1
59043063	G01_1_34130	59043063	1	59057252	J02_1_34222	59057252	1	59256280	D01_2_33546	59256280	1
59047450	C01_1_34043	59047450	1	59057270	J.02.02.A0011_02	13	1		D01_3_59819	59256280	1
59047463	C01_1_34043	59047463	1		J02_1_34222	59057270	1		D01_4_72864	59256280	1
59047709	I05_0_34171	59047709	1	59057366	J.02.02.A0011_02	13	1	59257150	I05_0_34171	59257150	1
59047743	L01_1_27708	59047743	0		J02_1_34222	59057366	1	59259555	L01_1_27708	59259555	0
	L01_2_60486	59047743	1	59057430N	J.02.02.A0011_02	11	1		L01_2_60486	59259555	1
	L01_3_90714	59047743	1	59059551	L01_1_27708	59059551	0		L01_3_90714	59259555	1
59047745	L01_1_27708	59047745	0		L01_2_60486	59059551	1	59259563	L01_1_27708	59259563	0
	L01_2_60486	59047745	1		L01_3_90714	59059551	1		L01_2_60486	59259563	1
	L01_3_90714	59047745	1	59059561	L01_1_27708	59059561	0		L01_3_90714	59259563	1
59047927	C01_1_34043	59047927	1		L01_2_60486	59059561	1	59259567	L01_1_27708	59259567	0
59056051	C.01.02.A0011_03	13	1		L01_3_90714	59059561	1		L01_2_60486	59259567	1
	C01_1_34043	59056051	1	59059571	L01_1_27708	59059571	0		L01_3_90714	59259567	1
59056051N	C01_2_67668	59056051	1		L01_2_60486	59059571	1	59259578	L01_1_27708	59259578	0
59056089	C01_1_34043	59056089	1		L01_3_90714	59059571	1		L01_2_60486	59259578	1
59056089N	C.01.02.A0011_03	13	1	59059591	L01_1_27708	59059591	0		L01_3_90714	59259578	1
	C01_2_67668	59056089	1		L01_2_60486	59059591	1	59259580	L01_1_27708	59259580	0
59056111	C01_2_67668	59056111	1		L01_3_90714	59059591	1		L01_2_60486	59259580	1
59056111N	C.01.02.A0011_03	13	1	59247884	D01_2_33546	59247884	1		L01_3_90714	59259580	1
59056365	F03_1_34091	59056365	1		D01_3_59819	59247884	1	59259598	L01_1_27708	59259598	0
	F03_2_90637	59056365	1		D01_4_72864	59247884	1		L01_2_60486	59259598	1
59056383	F.03.02.A0011_03	2		59247924	D01_2_33546	59247924	1		L01_3_90714	59259598	1
	F03_1_34091	59056383	1		D01_3_59819	59247924	1	92243685	L01_1_27708	92243685	0
	F03_2_90637	59056383	1		D01_4_72864	59247924	1		L01_2_60486	92243685	1
59056707	F.03.02.A0011_03	4		59247971	D01_2_33546	59247971	1		L01_3_90714	92243685	1



SPARE PARTS INSTANCE INDEX

Code	Parts Table	Pos.	Q.ty
92457794	L01_1_27708	92457794	0
	L01_2_60486	92457794	1
	L01_3_90714	92457794	1
92459580	L01_1_27708	92459580	0
	L01_2_60486	92459580	1
	L01_3_90714	92459580	1
F0849044070	L01_1_27708	F0849044	0
	L01_2_60486	F0849044	1